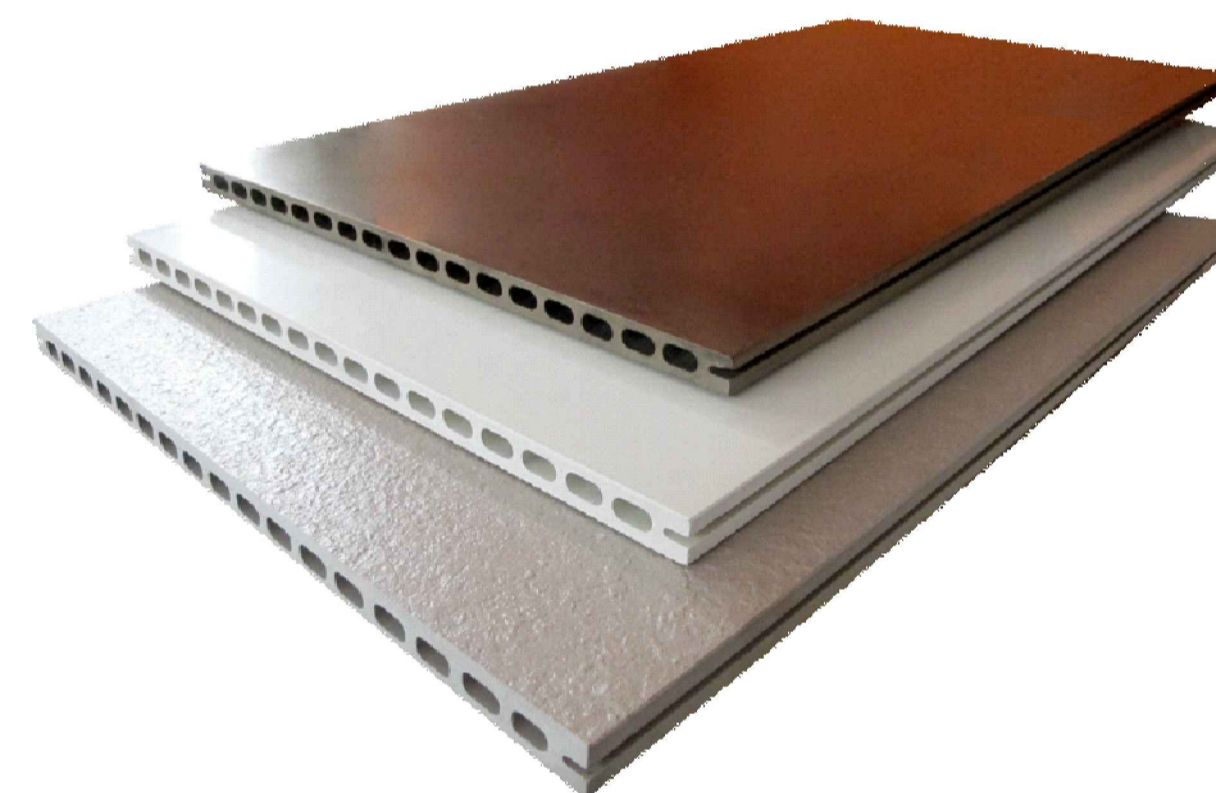


frontek
cerámica tecnológica en fachadas



92 MM STUD WALL INSTALLATION HORIZONTAL CONFIGURATION

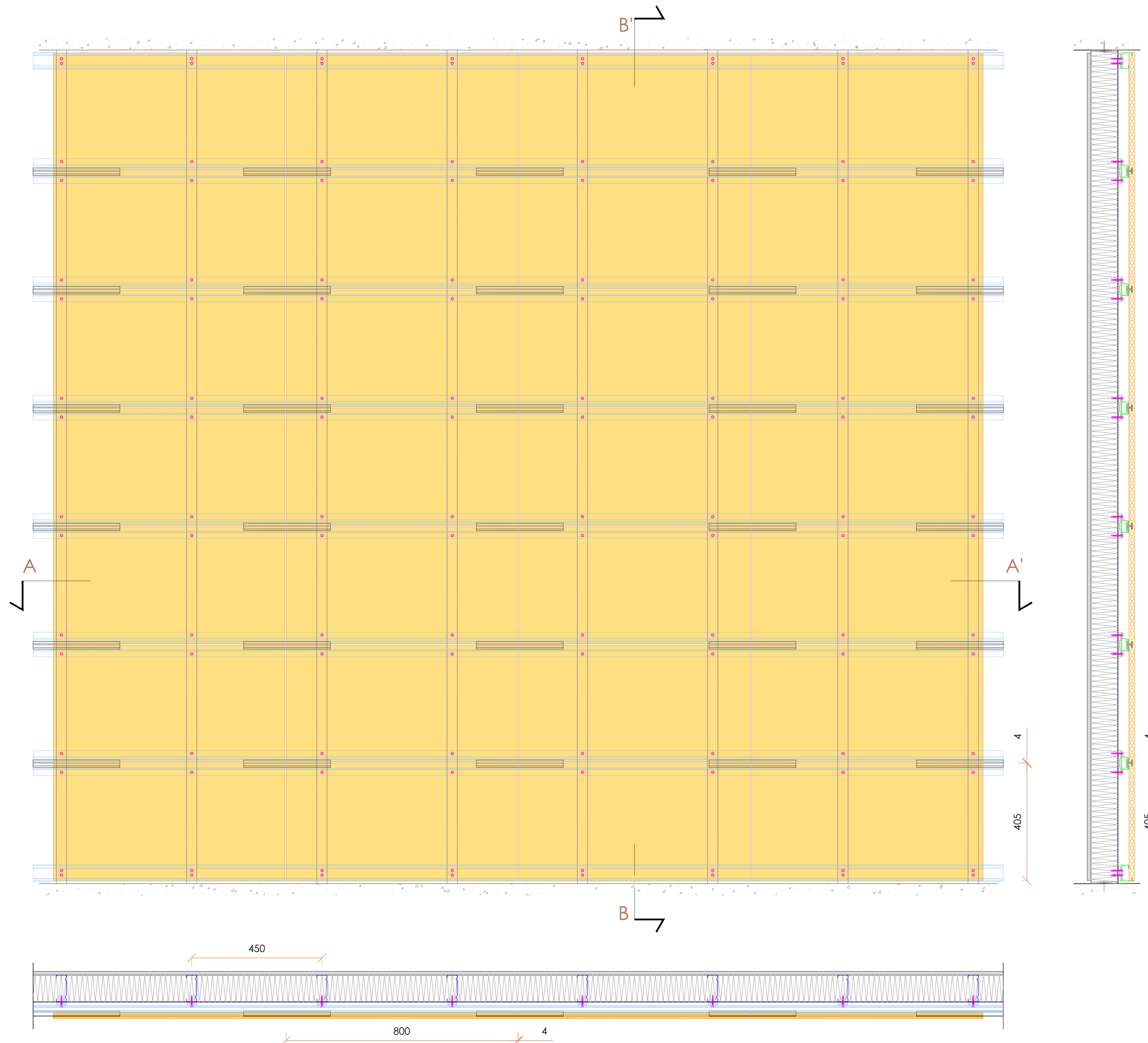
FRONTEK AUSTRALIA PTY LTD.

www.frontek.com.au

+61 2 9316 6818

Horizontal Configuration **STUD WALL**

STANDARD MODULE



FOR INFORMATION

COPYRIGHT

These designs, details and/or specifications and the Copyright Therein, remain the property of

Frontek Australia.

and shall not be divulged in any form whatsoever without written permission of

Frontek Australia.

All fixings sizes and types to be engineered by constructors

DRAWING DESCRIPTION
STANDARD MODULE

FACADE TYPE
92 MM STUD WALL

FRONTEK SYSTEM
HORIZONTAL CONFIGURATION

DRAWN BY
BEATRIZ QUINTANA

FIRST DRAWN DATE 16/05/2018

REVIEWED BY
-

SCALE 1/150 SIZE A3

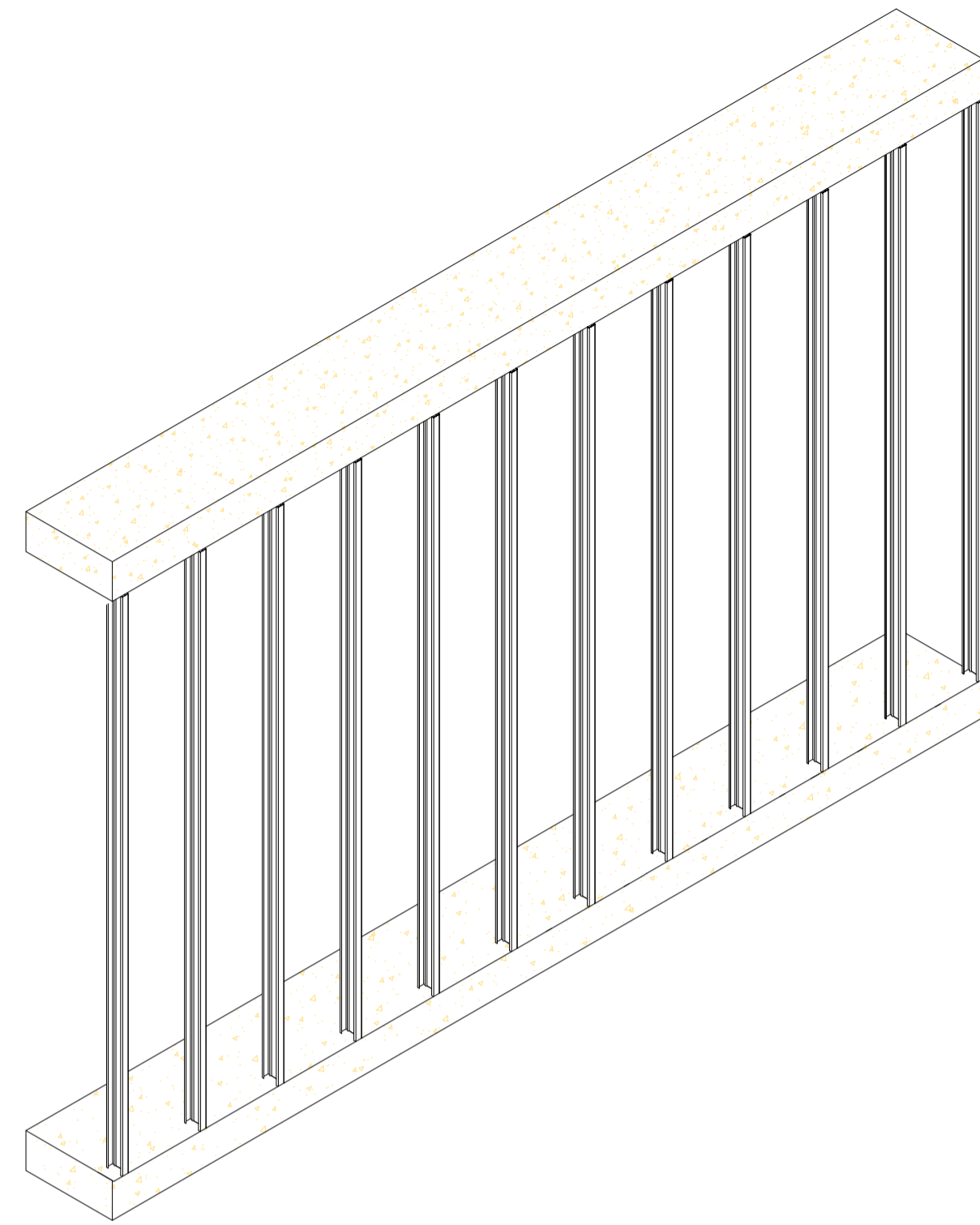
DRAWING NO. V100

frontek
cerámica tecnológica en fachadas

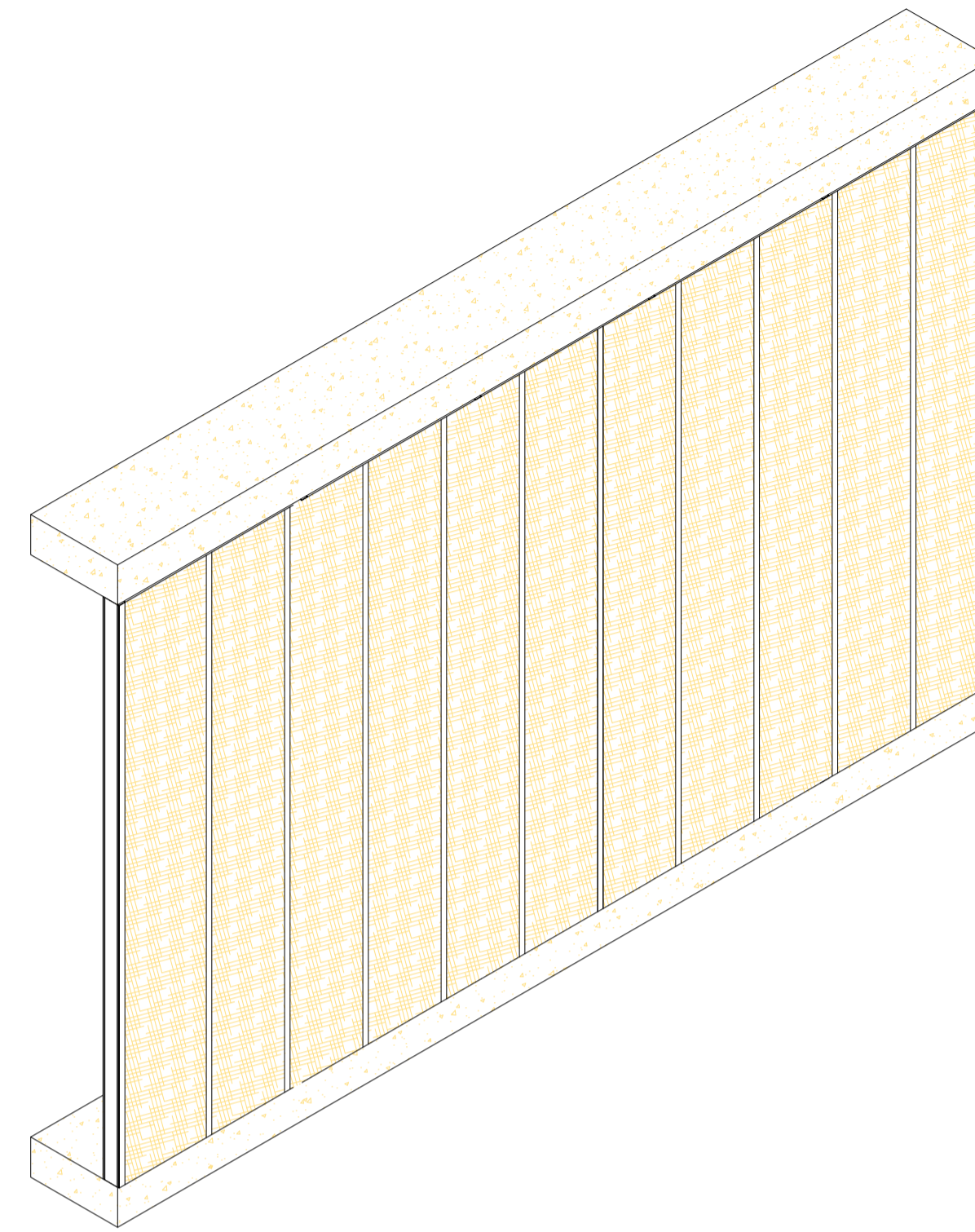
FRONTEK AUSTRALIA PTY LTD.
www.frontek.com.au
+61 2 9316 6818

Horizontal Configuration STUD WALL

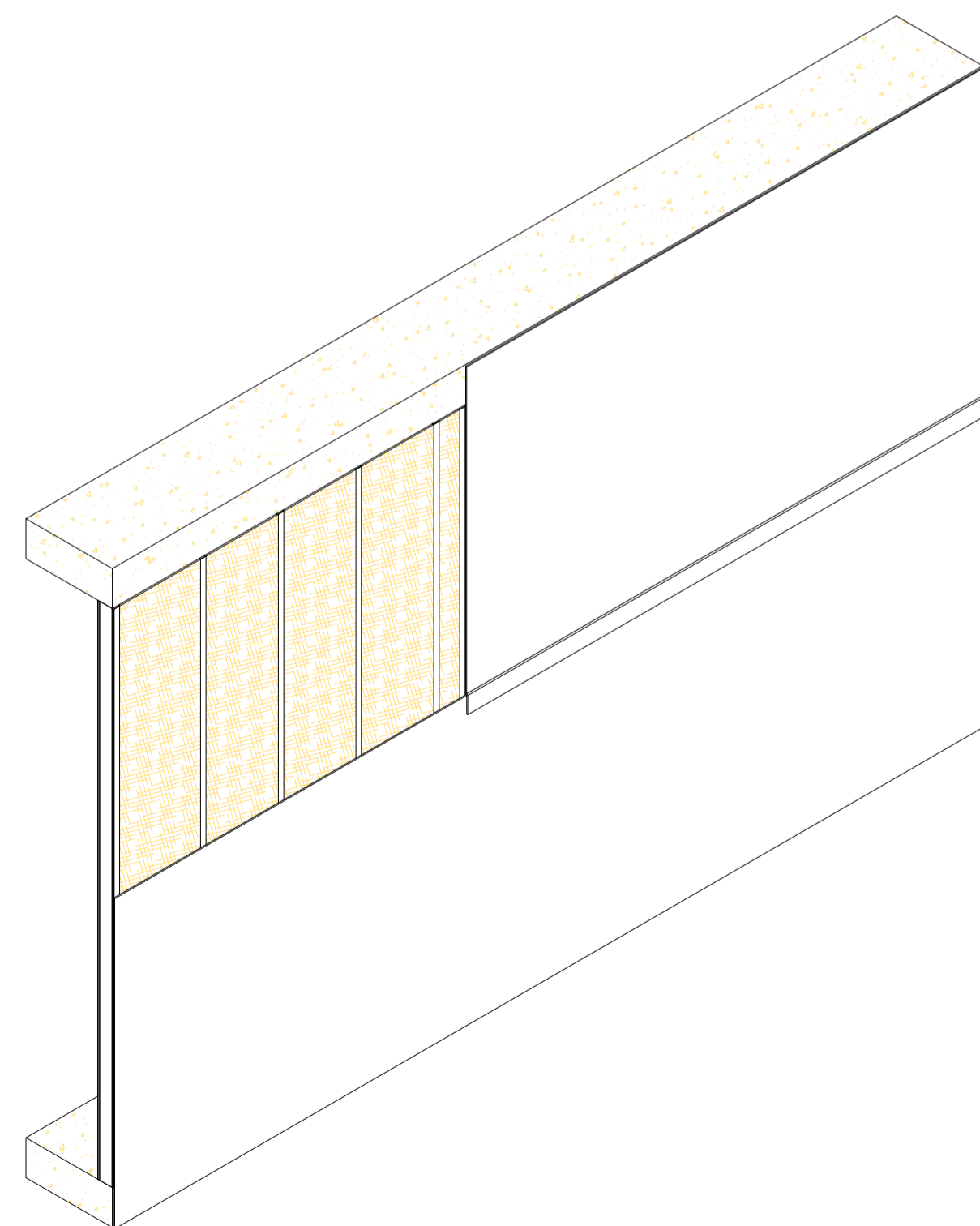
ASSEMBLING PROCESS



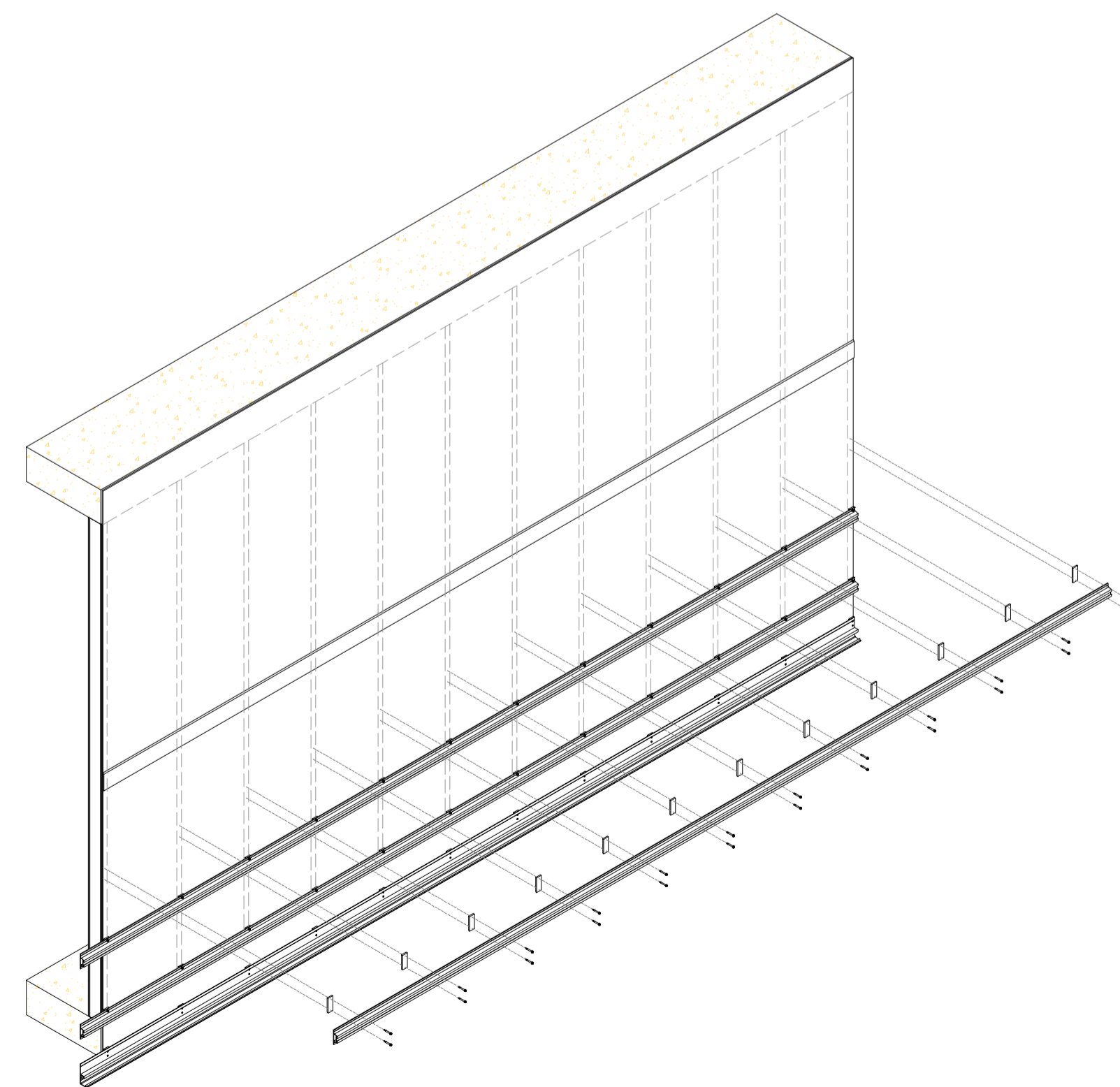
1. WALL STUDS



2. WALL INSULATION



3. ENGINEERED BACKPAN



4. FRONTEK FT04-01 [1] HORIZONTAL INSTALLATION RAIL

FOR INFORMATION

COPYRIGHT

These designs, details and/or specifications and the Copyright Therein, remain the property of

Frontek Australia.

and shall not be divulged in any form whatsoever without written permission of

Frontek Australia.

All fixings sizes and types to be engineered by constructors

DRAWING DESCRIPTION
ASSEMBLING PROCESS

FACADE TYPE
92 MM STUD WALL

FRONTEK SYSTEM
HORIZONTAL CONFIGURATION

DRAWN BY
BEATRIZ QUINTANA

FIRST DRAWN DATE 16/05/2018

REVIEWED BY
-

SCALE 1/20 SIZE A3

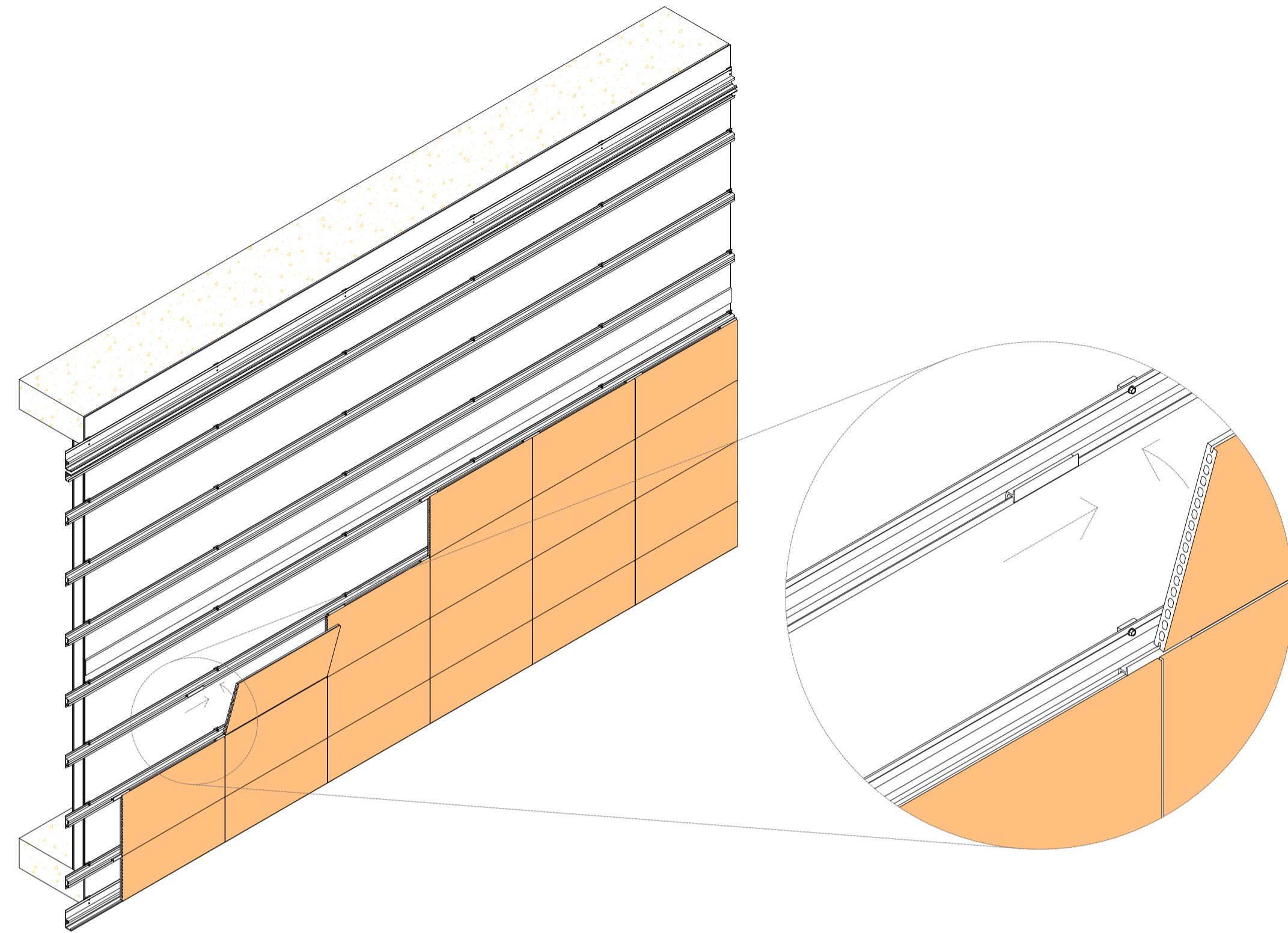
DRAWING NO. V101

frontek
cerámica tecnológica en fachadas

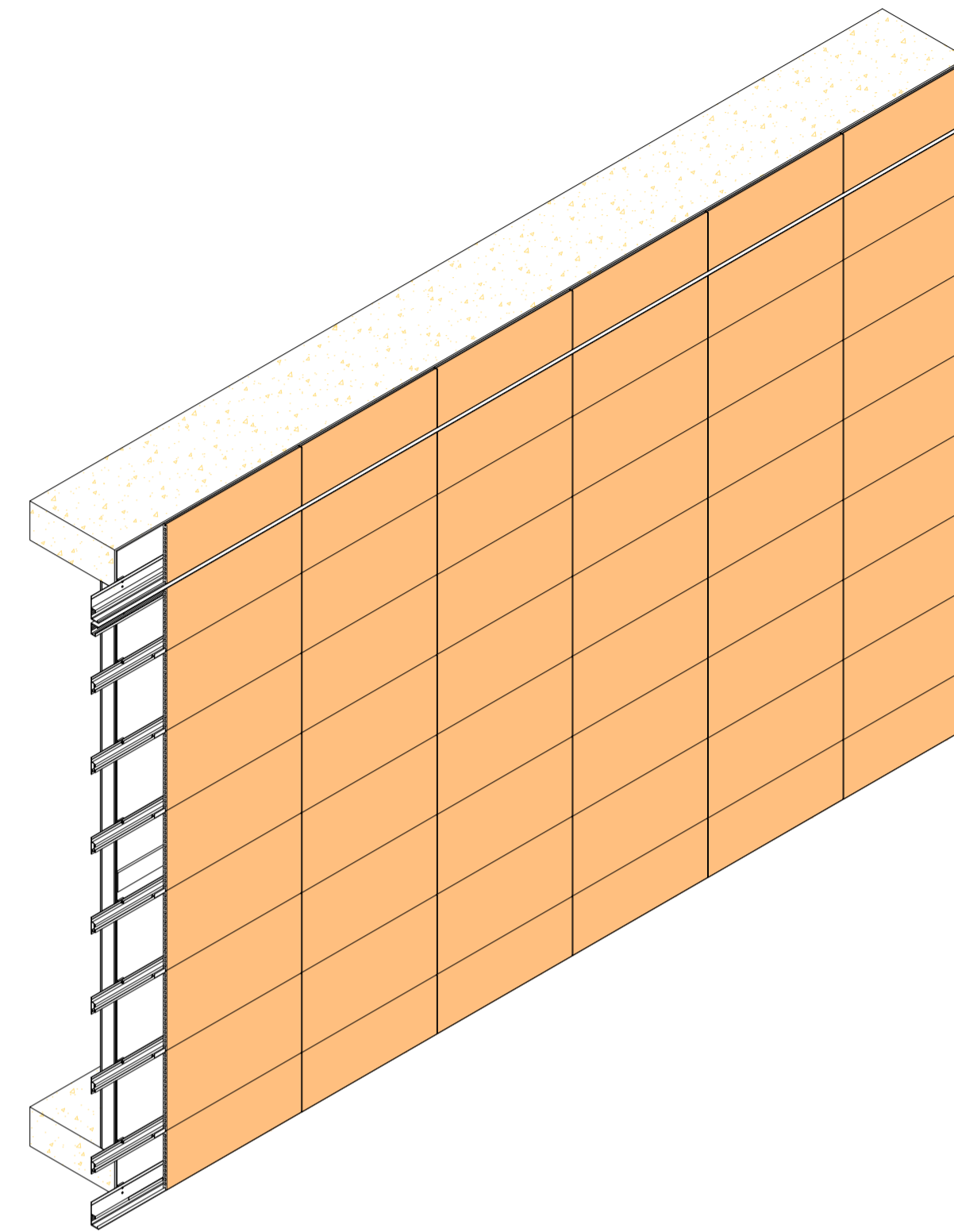
FRONTEK AUSTRALIA PTY LTD.
www.frontek.com.au
+61 2 9316 6818

Horizontal Configuration STUD WALL

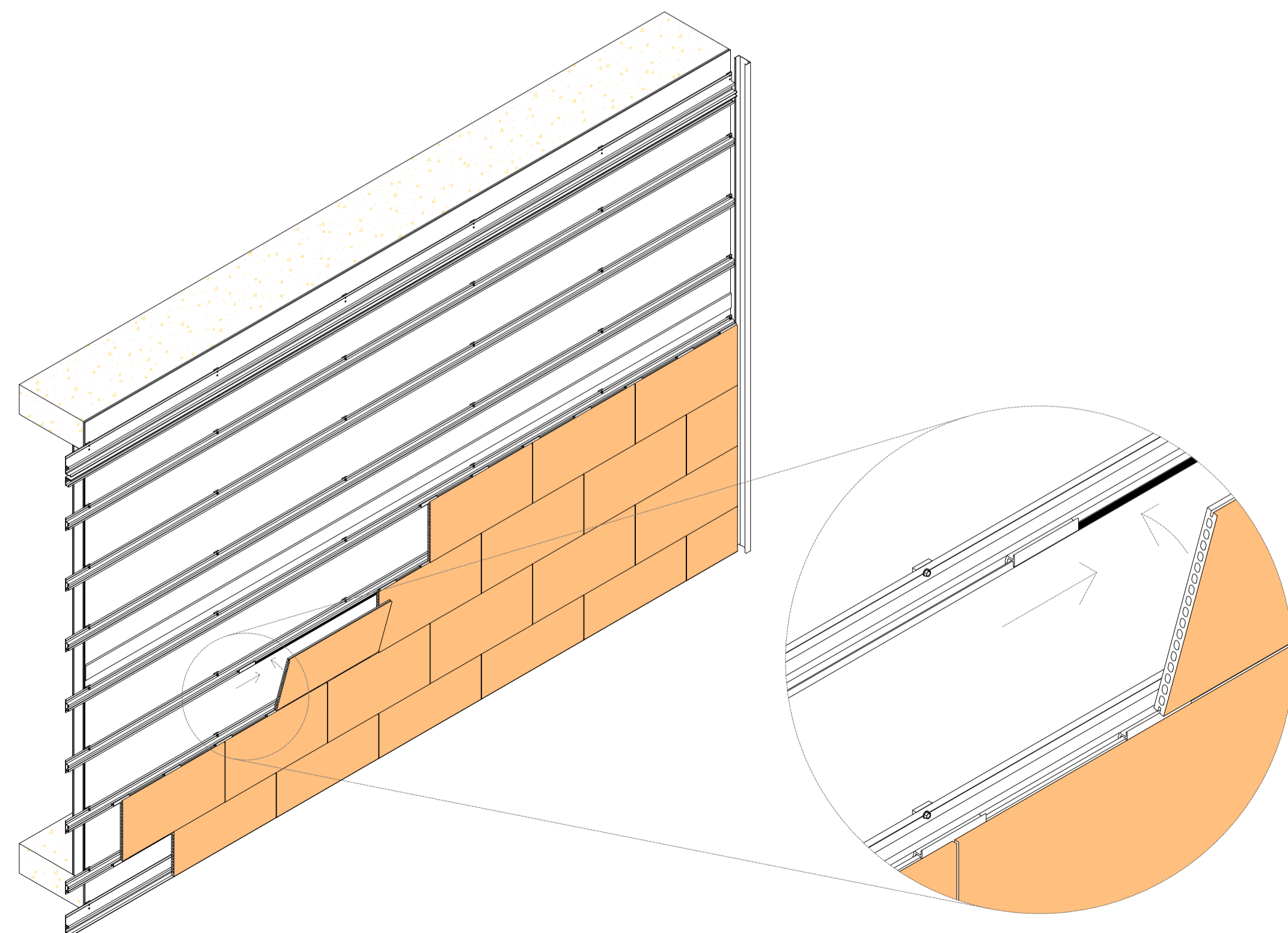
ASSEMBLING PROCESS



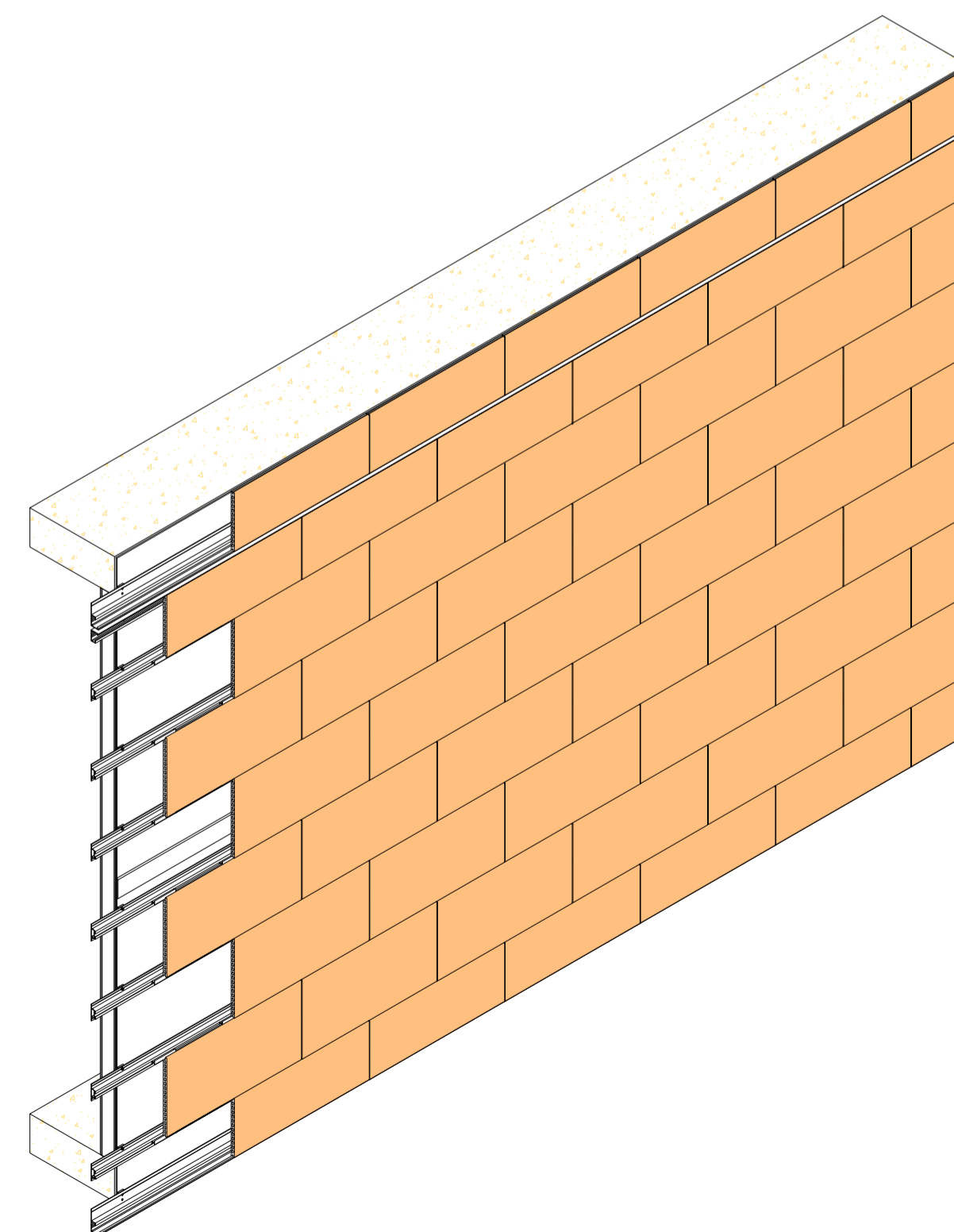
5A. HORIZONTAL NET PATTERN CONFIGURATION: FT01-02 [1] CLIPS AND GLUE LINE



6A. HORIZONTAL NET PATTERN CONFIGURATION



5B. HORIZONTAL BRICK PATTERN CONFIGURATION: FT01-02 [1] CLIPS AND GLUE LINE



6B. HORIZONTAL BRICK PATTERN CONFIGURATION

FOR INFORMATION

COPYRIGHT

These designs, details and/or specifications and the Copyright Therein, remain the property of

Frontek Australia.

and shall not be divulged in any form whatsoever without written permission of

Frontek Australia.

All fixings sizes and types to be engineered by constructors

DRAWING DESCRIPTION
ASSEMBLING PROCESS

FACADE TYPE
92 MM STUD WALL

FRONTEK SYSTEM
HORIZONTAL CONFIGURATION

DRAWN BY
BEATRIZ QUINTANA

FIRST DRAWN DATE 16/05/2018

REVIEWED BY
-

SCALE 1/20 SIZE A3

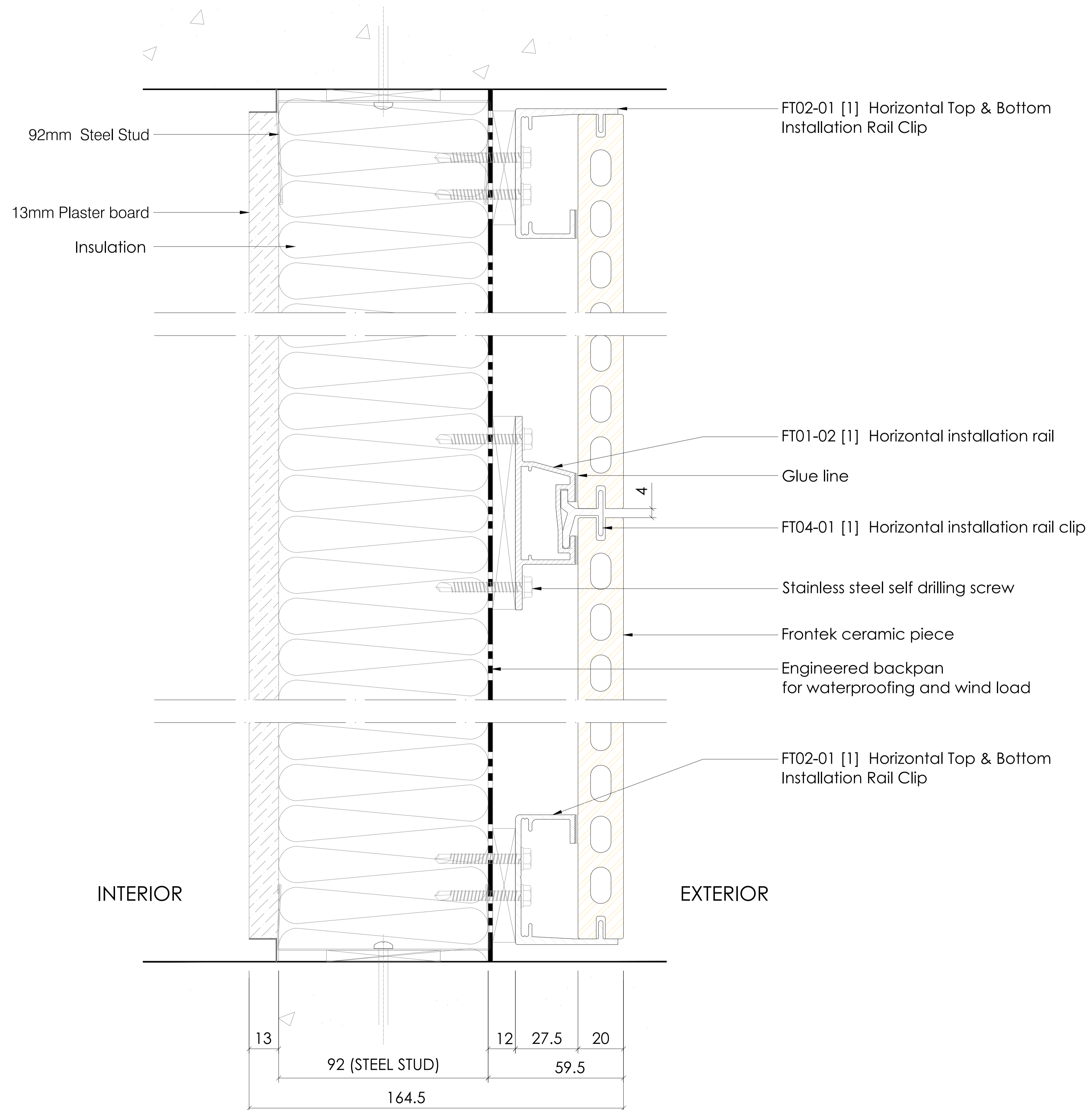
DRAWING NO. V102

frontek
cerámica tecnológica en fachadas

FRONTEK AUSTRALIA PTY LTD.
www.frontek.com.au
+61 2 9316 6818

Horizontal Configuration STUD WALL

VERTICAL SECTION



FOR INFORMATION

COPYRIGHT

These designs, details and/or specifications and the Copyright Therein, remain the property of **Frontek Australia.** and shall not be divulged in any form whatsoever without written permission of **Frontek Australia.**

All fixings sizes and types to be engineered by constructors

DRAWING DESCRIPTION
VERTICAL SECTION

FACADE TYPE
92 MM STUD WALL

FRONTEK SYSTEM
HORIZONTAL CONFIGURATION

DRAWN BY
BEATRIZ QUINTANA

FIRST DRAWN DATE 16/05/2018

REVIEWED BY
-

SCALE 1/20 SIZE A3

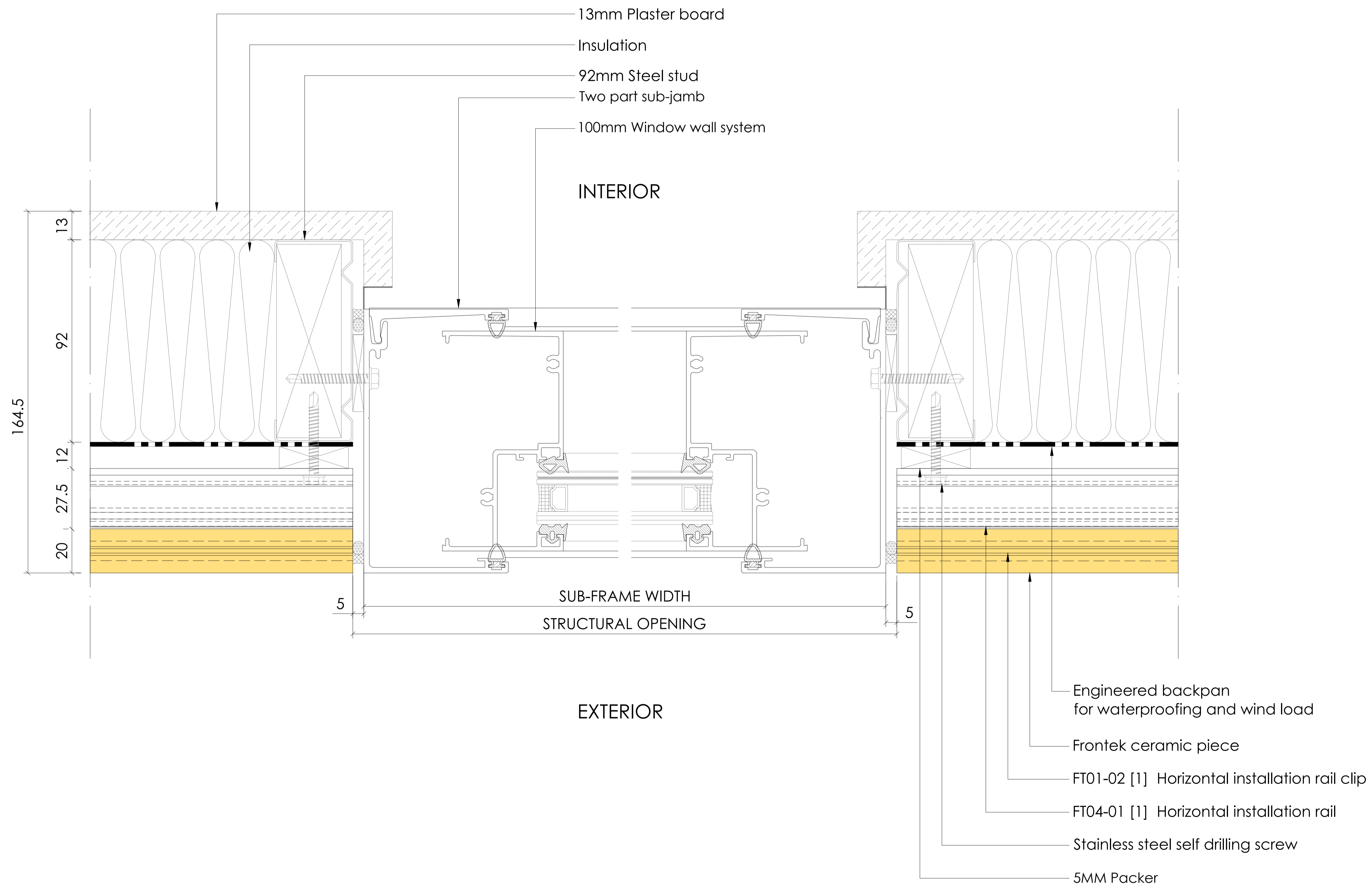
DRAWING NO. D101

frontek
cerámica tecnológica en fachadas

FRONTEK AUSTRALIA PTY LTD.
www.frontek.com.au
+61 2 9316 6818

Horizontal Configuration STUD WALL

HORIZONTAL SECTION.
FLUSH FACADE DETAIL



FOR INFORMATION

COPYRIGHT

These designs, details and/or specifications and the Copyright Therein, remain the property of **Frontek Australia.** and shall not be divulged in any form whatsoever without written permission of **Frontek Australia.**

All fixings sizes and types to be engineered by constructors

DRAWING DESCRIPTION
HORIZONTAL SECTION
FLUSH FACADE DETAIL

FACADE TYPE
92 MM STUD WALL

FRONTEK SYSTEM
HORIZONTAL CONFIGURATION

DRAWN BY
BEATRIZ QUINTANA

FIRST DRAWN DATE 16/05/2018

REVIEWED BY
-

SCALE 1/20 SIZE A3

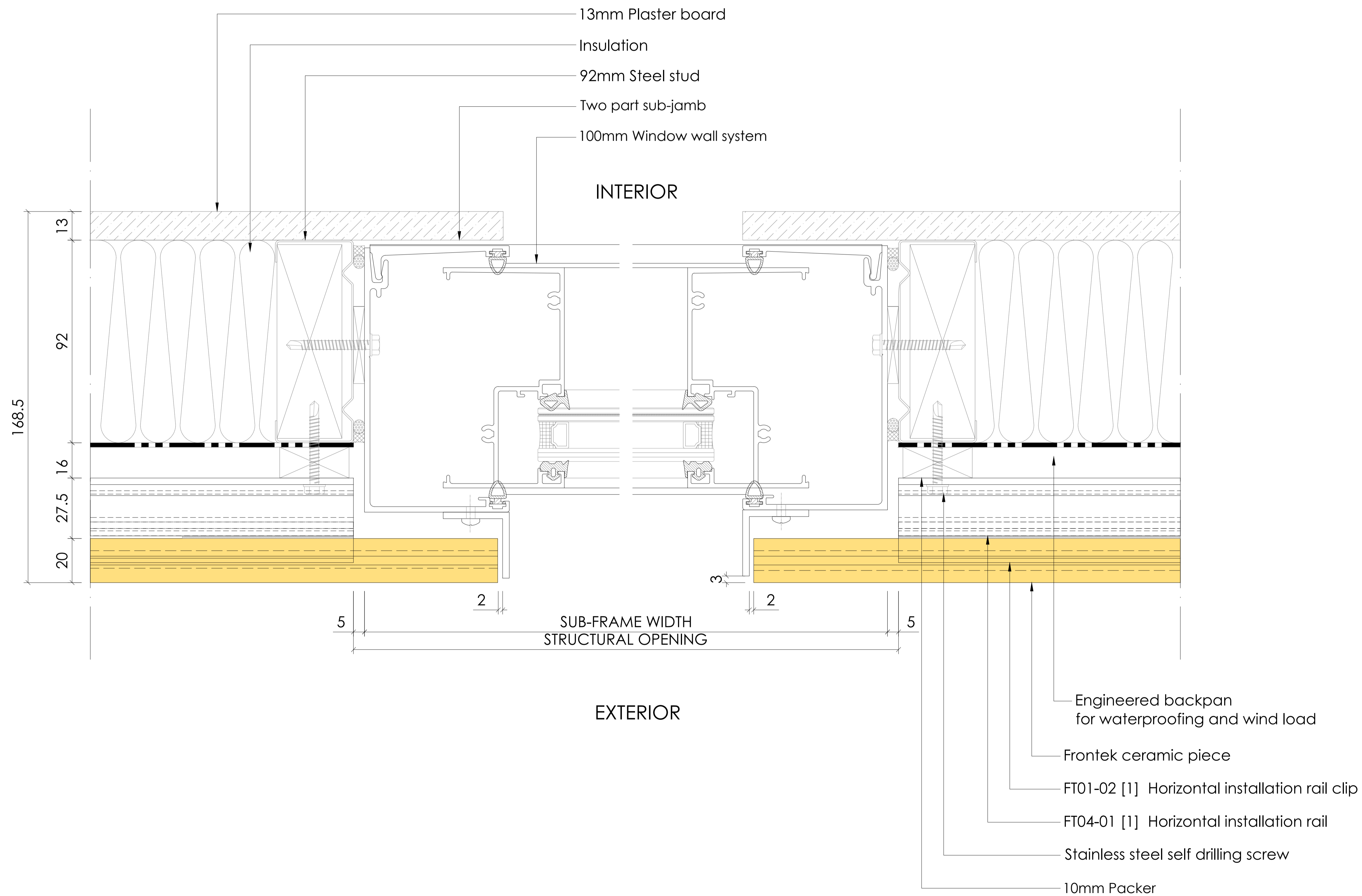
DRAWING NO. D103

frontek
cerámica tecnológica en fachadas

FRONTEK AUSTRALIA PTY LTD.
www.frontek.com.au
+61 2 9316 6818

Horizontal Configuration STUD WALL

HORIZONTAL SECTION.
REVEAL FACADE DETAIL



FOR INFORMATION

COPYRIGHT

These designs, details and/or specifications and the Copyright Therein, remain the property of **Frontek Australia.** and shall not be divulged in any form whatsoever without written permission of **Frontek Australia.**

All fixings sizes and types to be engineered by constructors

DRAWING DESCRIPTION
HORIZONTAL SECTION
REVEAL FACADE DETAIL

FACADE TYPE
92 MM STUD WALL

FRONTEK SYSTEM
HORIZONTAL CONFIGURATION

DRAWN BY
BEATRIZ QUINTANA

FIRST DRAWN DATE 16/05/2018

REVIEWED BY
-

SCALE 1/20 SIZE A3

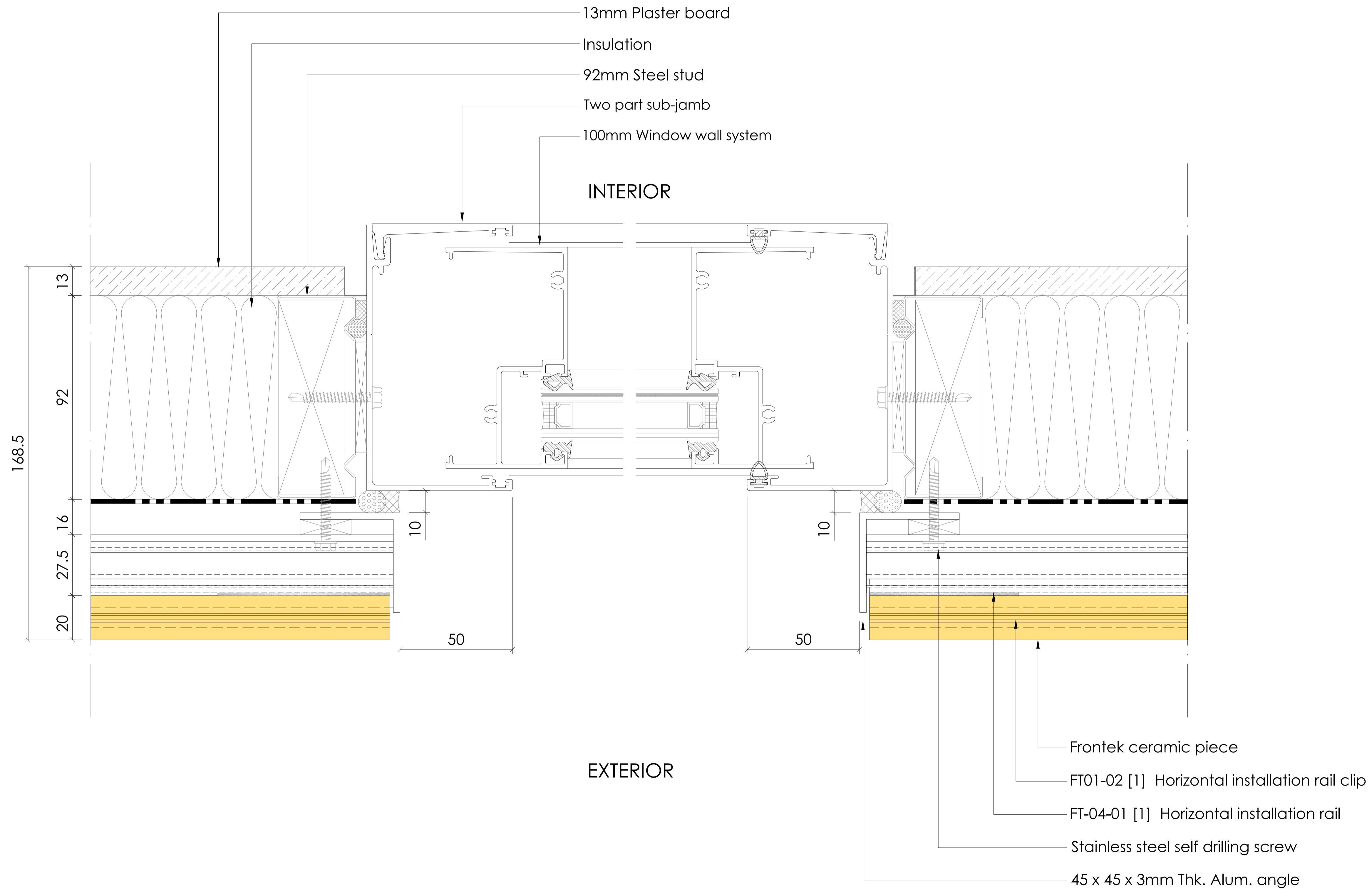
DRAWING NO. D104

frontek
cerámica tecnológica en fachadas

FRONTEK AUSTRALIA PTY LTD.
www.frontek.com.au
+61 2 9316 6818

Horizontal Configuration STUD WALL

HORIZONTAL SECTION.
REVEAL FACADE DETAIL



FOR INFORMATION

COPYRIGHT

These designs, details and/or specifications and the Copyright Therein, remain the property of **Frontek Australia.** and shall not be divulged in any form whatsoever without written permission of **Frontek Australia.**

All fixings sizes and types to be engineered by constructors

DRAWING DESCRIPTION
HORIZONTAL SECTION
REVEAL FACADE DETAIL

FACADE TYPE
92 MM STUD WALL

FRONTEK SYSTEM
HORIZONTAL CONFIGURATION

DRAWN BY
BEATRIZ QUINTANA

FIRST DRAWN DATE 16/05/2018

REVIEWED BY
-

SCALE 1/20 SIZE A3

DRAWING NO. D105

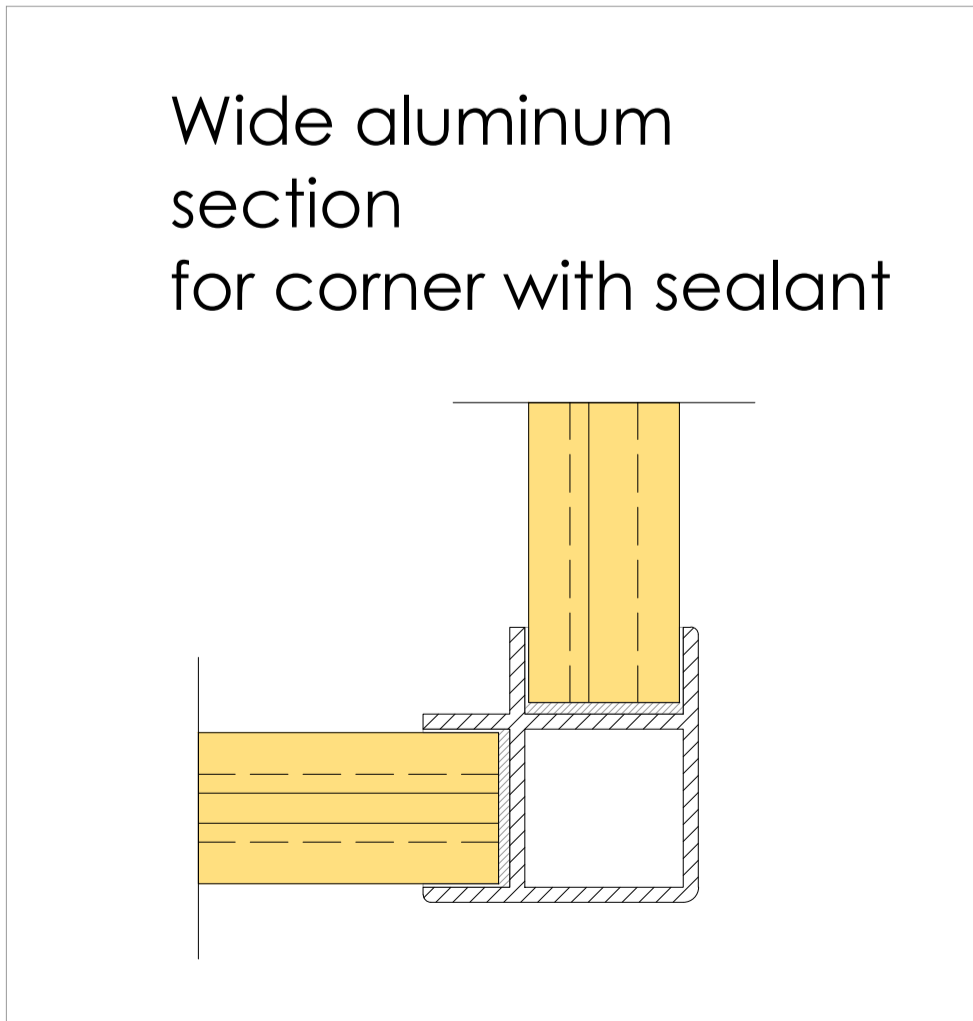
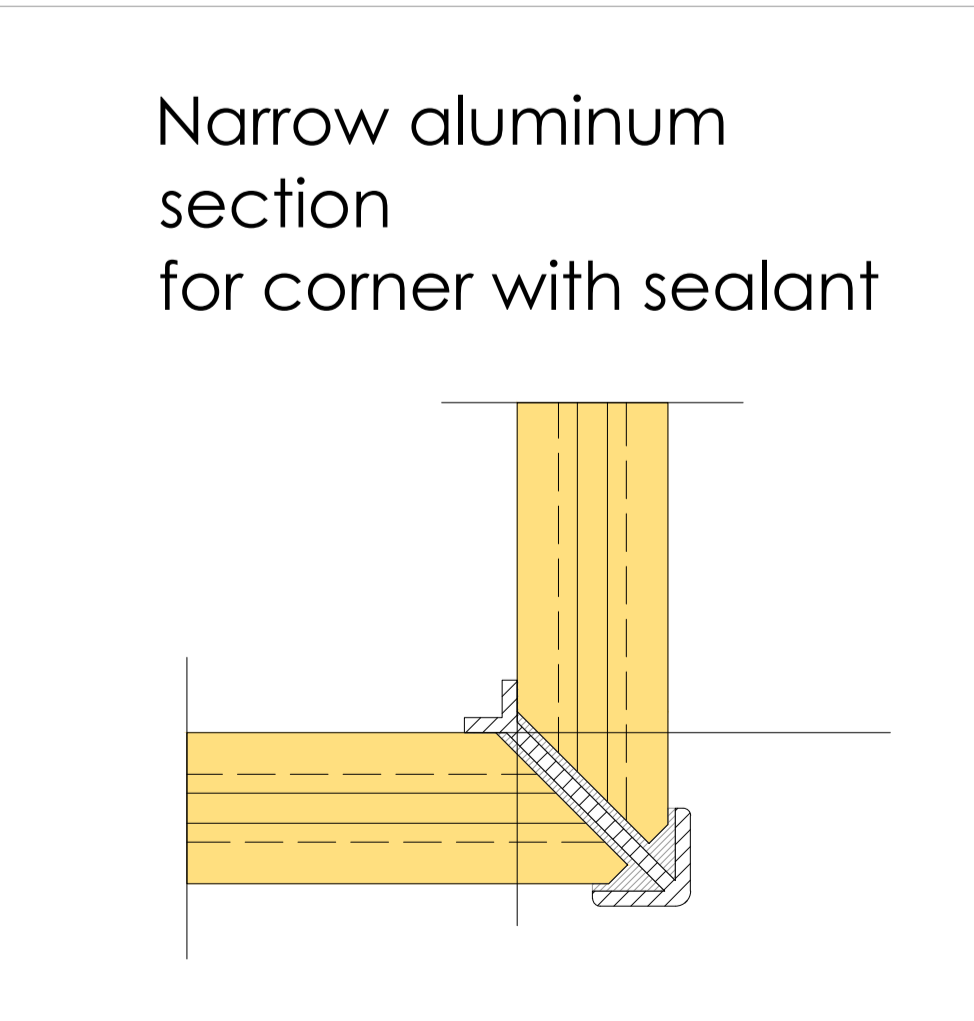
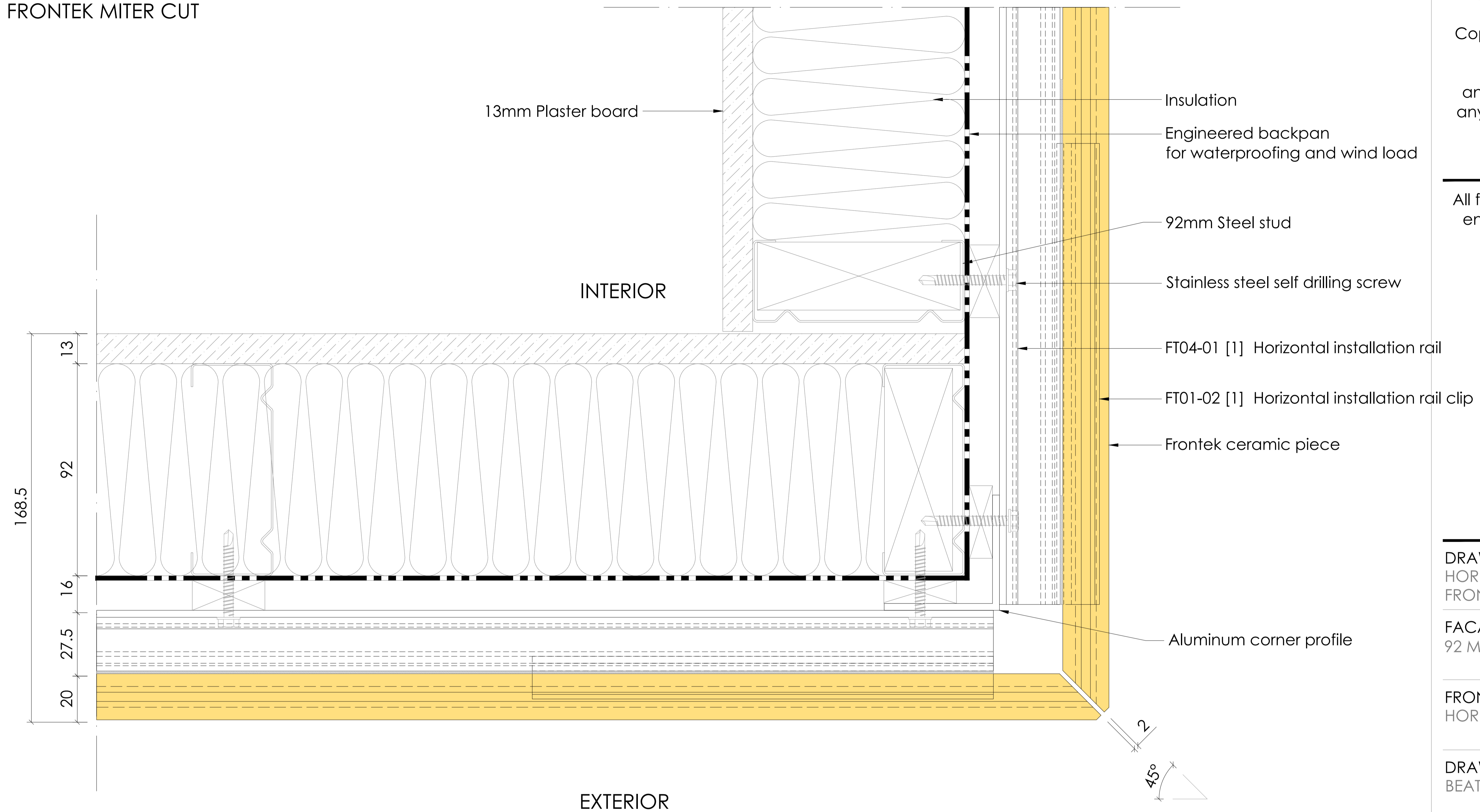
frontek
cerámica tecnológica en fachadas

FRONTEK AUSTRALIA PTY LTD.
www.frontek.com.au
+61 2 9316 6818

Horizontal Configuration STUD WALL

HORIZONTAL SECTION. OUTSIDE CORNER.

FRONTEK MITER CUT



FOR INFORMATION

COPYRIGHT

These designs, details and/or specifications and the Copyright Therein, remain the property of **Frontek Australia.** and shall not be divulged in any form whatsoever without written permission of **Frontek Australia.**

All fixings sizes and types to be engineered by constructors

DRAWING DESCRIPTION
HORIZONTAL SECTION
FRONTEK MITER CUT

FACADE TYPE
92 MM STUD WALL

FRONTEK SYSTEM
HORIZONTAL CONFIGURATION

DRAWN BY
BEATRIZ QUINTANA

FIRST DRAWN DATE 16/05/2018

REVIEWED BY
-

SCALE 1/20 SIZE A3

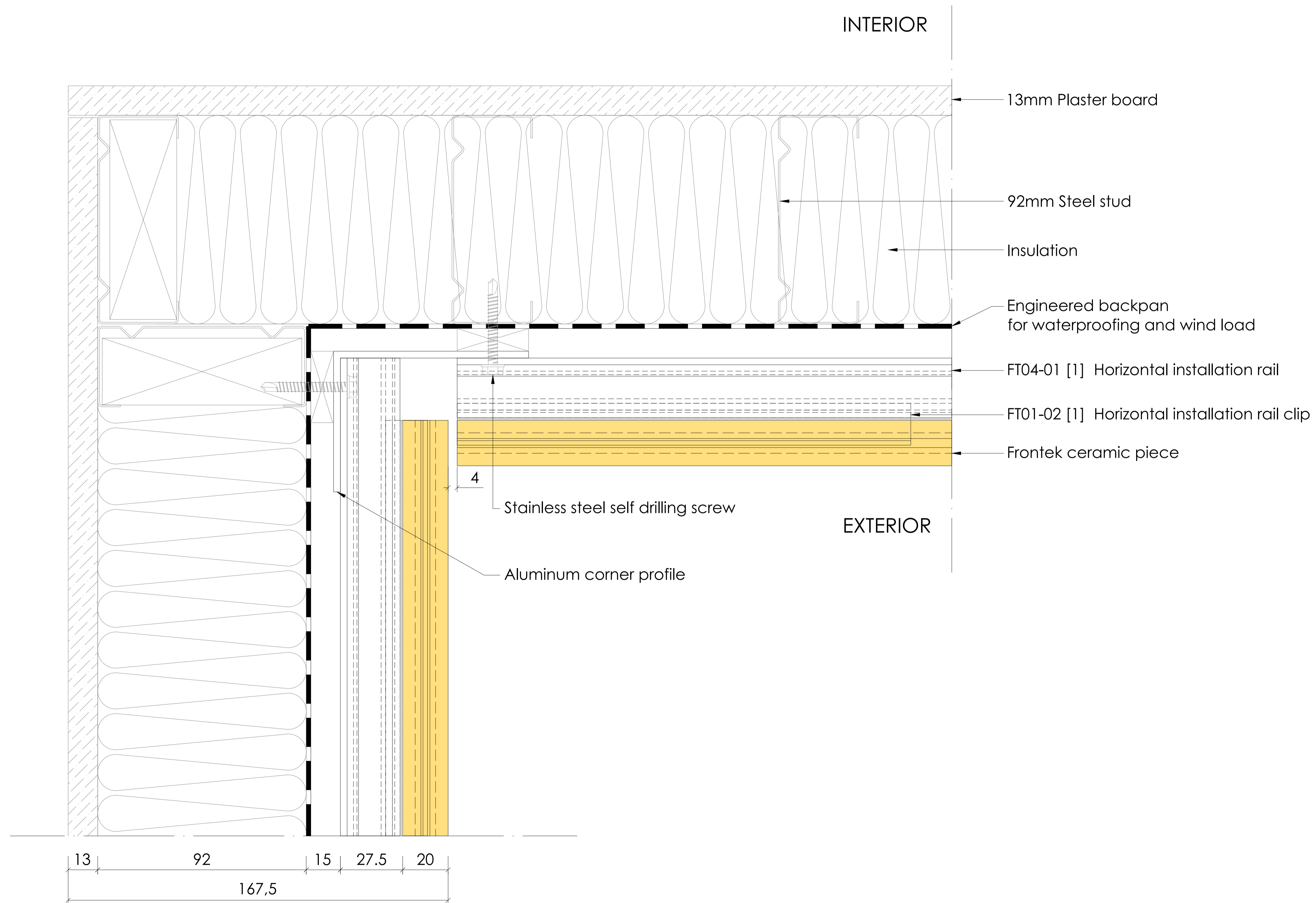
DRAWING NO. D106

frontek
cerámica tecnológica en fachadas

FRONTEK AUSTRALIA PTY LTD.
www.frontek.com.au
+61 2 9316 6818

Horizontal Configuration STUD WALL

HORIZONTAL SECTION. INTERIOR CORNER.



FOR INFORMATION

COPYRIGHT

These designs, details and/or specifications and the Copyright Therein, remain the property of **Frontek Australia.** and shall not be divulged in any form whatsoever without written permission of **Frontek Australia.**

All fixings sizes and types to be engineered by constructors

DRAWING DESCRIPTION
HORIZONTAL SECTION
INTERIOR CORNER

FACADE TYPE
92 MM STUD WALL

FRONTEK SYSTEM
HORIZONTAL CONFIGURATION

DRAWN BY
BEATRIZ QUINTANA

FIRST DRAWN DATE 16/05/2018

REVIEWED BY
-

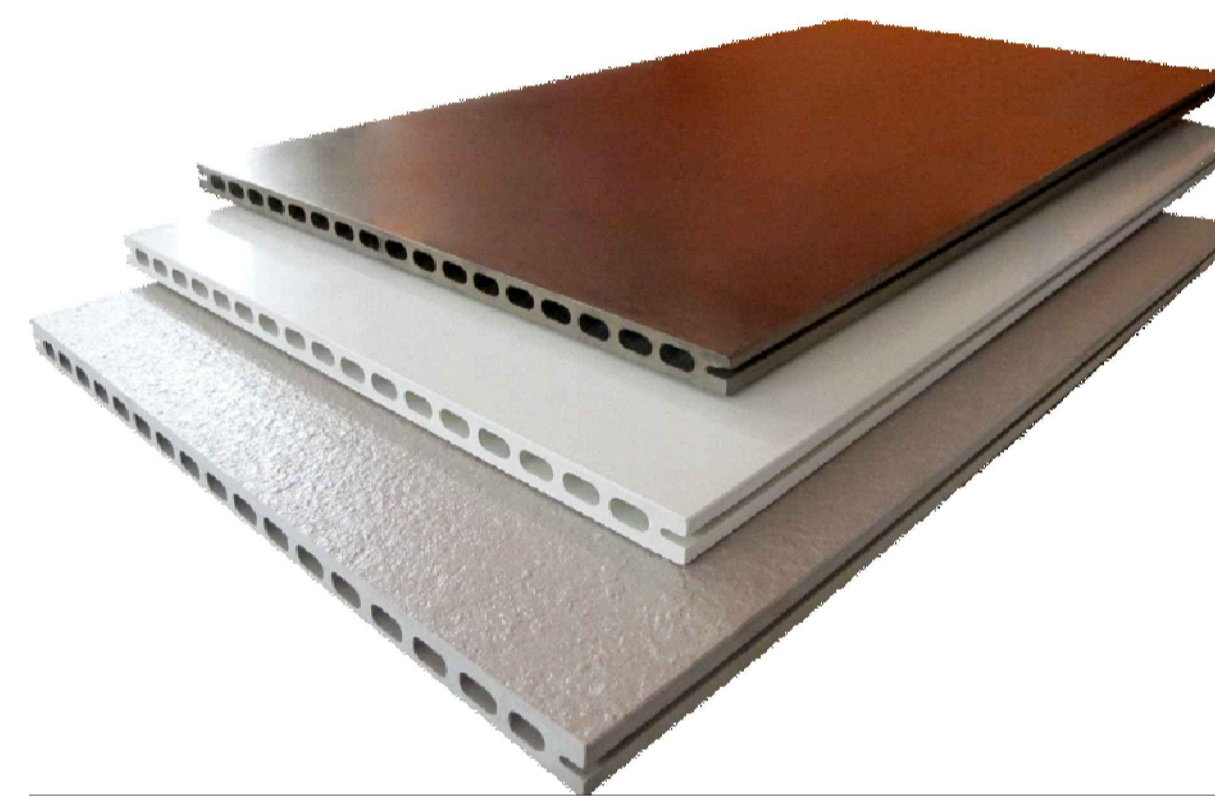
SCALE 1/20 SIZE A3

DRAWING NO. D107

frontek
cerámica tecnológica en fachadas

FRONTEK AUSTRALIA PTY LTD.
www.frontek.com.au
+61 2 9316 6818

frontek
cerámica tecnológica en fachadas



92 MM STUD WALL INSTALLATION VERTICAL CONFIGURATION

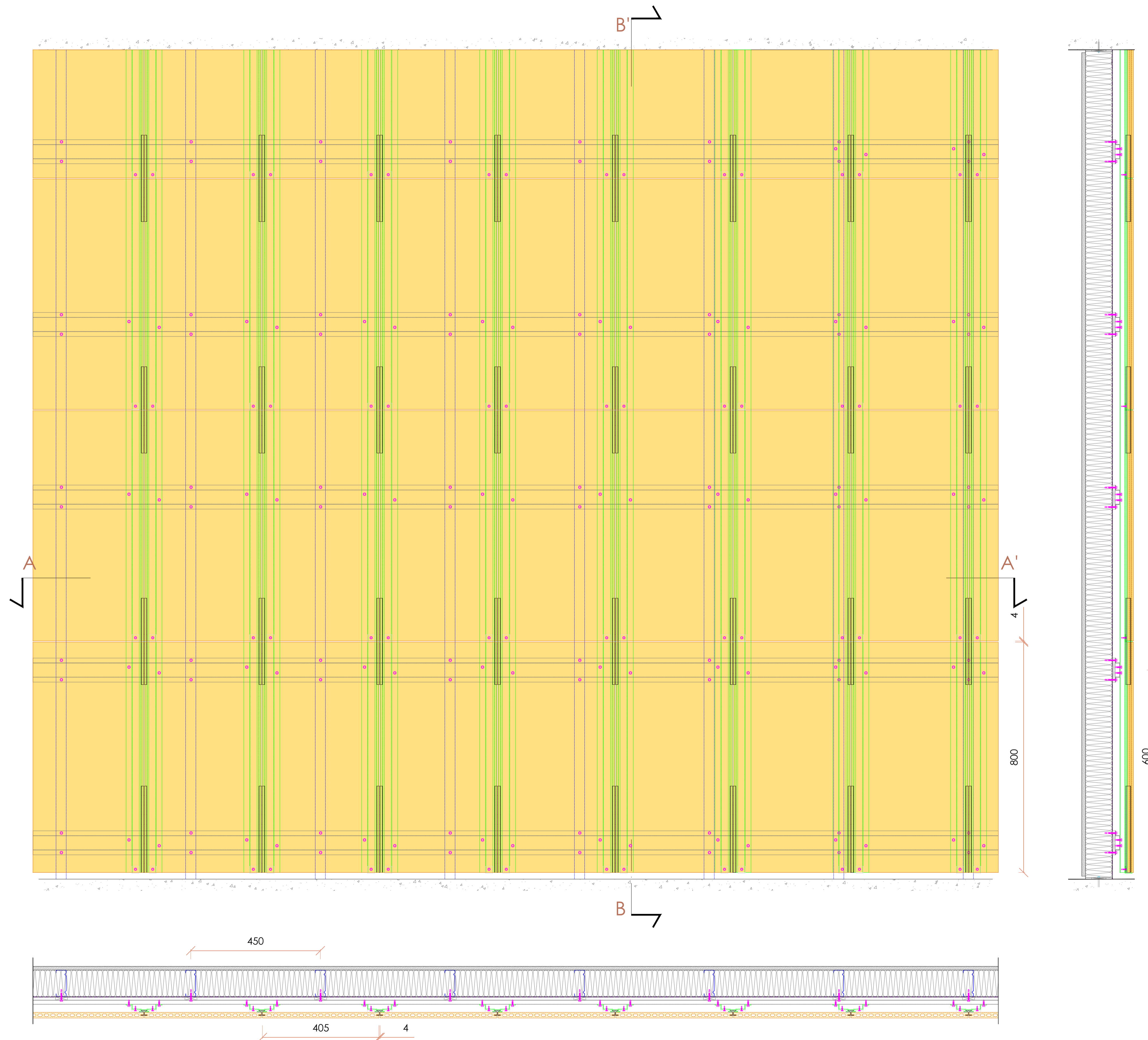
FRONTEK AUSTRALIA PTY LTD.

www.frontek.com.au

+61 2 9316 6818

Vertical Configuration **STUD WALL**

STANDARD MODULE



FOR INFORMATION

COPYRIGHT

These designs, details and/or specifications and the Copyright Therein, remain the property of

Frontek Australia.

and shall not be divulged in any form whatsoever without written permission of

Frontek Australia.

All fixings sizes and types to be engineered by constructors

DRAWING DESCRIPTION
STANDARD MODULE

FACADE TYPE
92 MM STUD WALL

FRONTEK SYSTEM
VERTICAL CONFIGURATION

DRAWN BY
BEATRIZ QUINTANA

FIRST DRAWN DATE 16/05/2018

REVIEWED BY
-

SCALE 1/150 SIZE A3

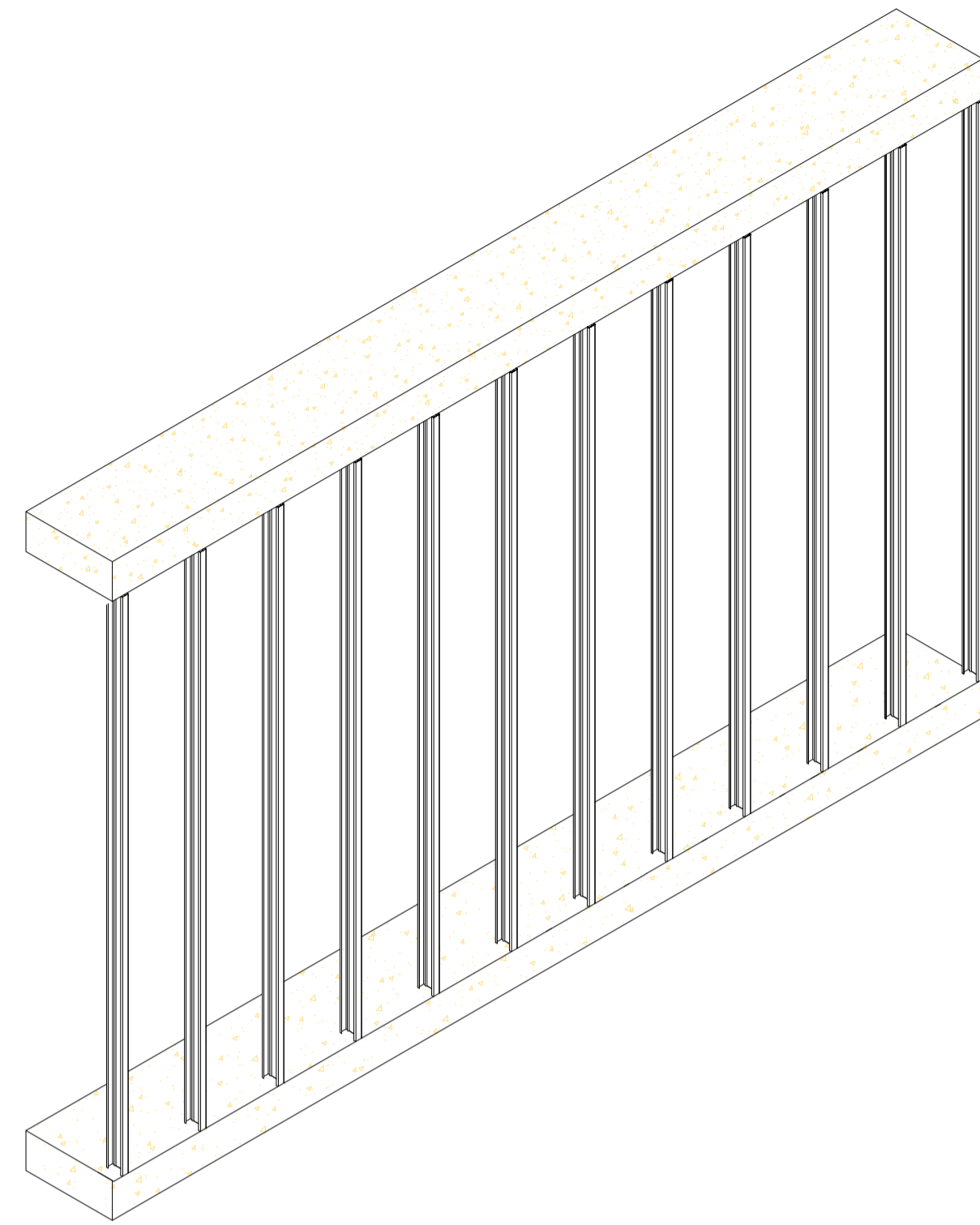
DRAWING NO. V100

frontek
cerámica tecnológica en fachadas

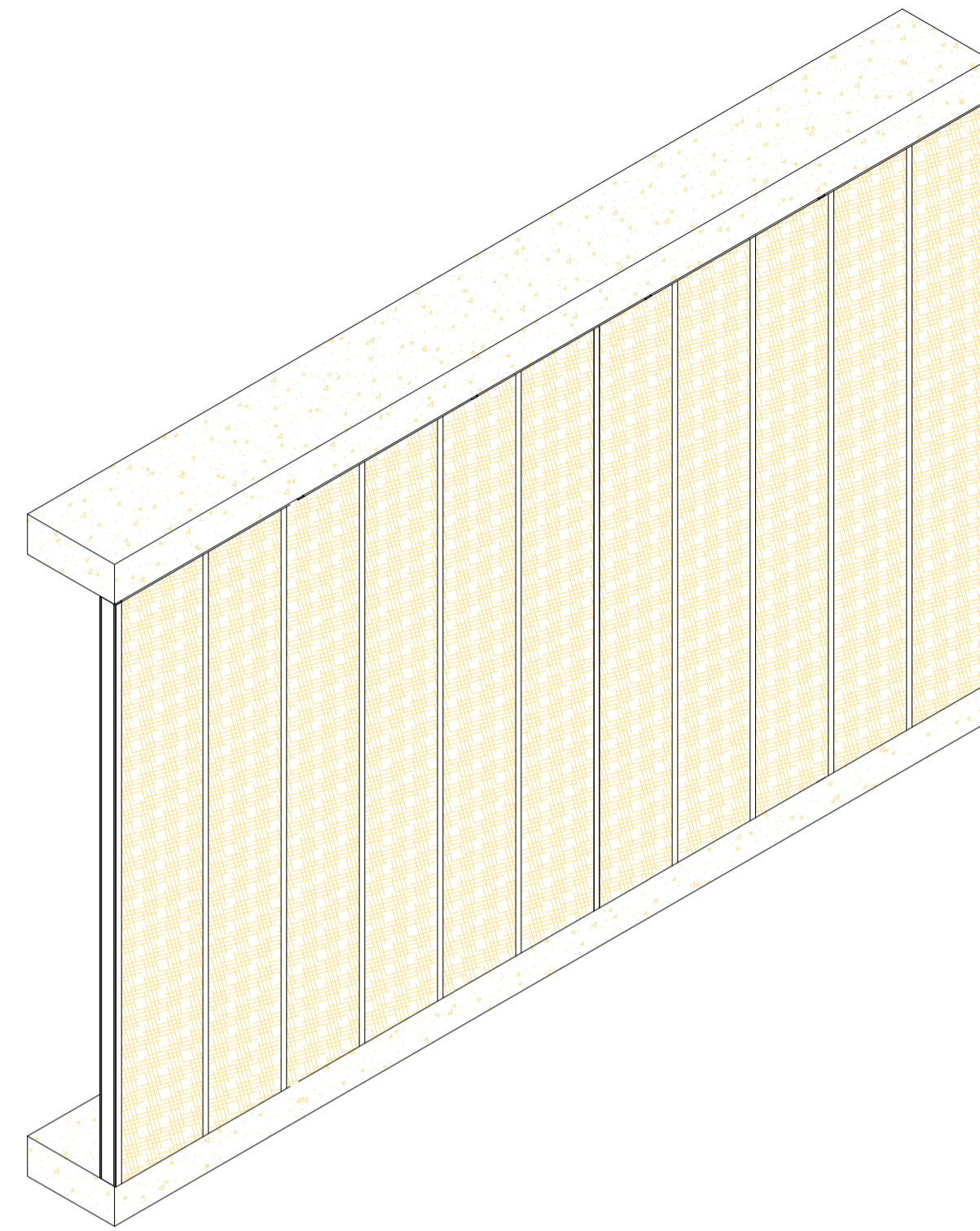
FRONTEK AUSTRALIA PTY LTD.
www.frontek.com.au
+61 2 9316 6818

Vertical Configuration STUD WALL

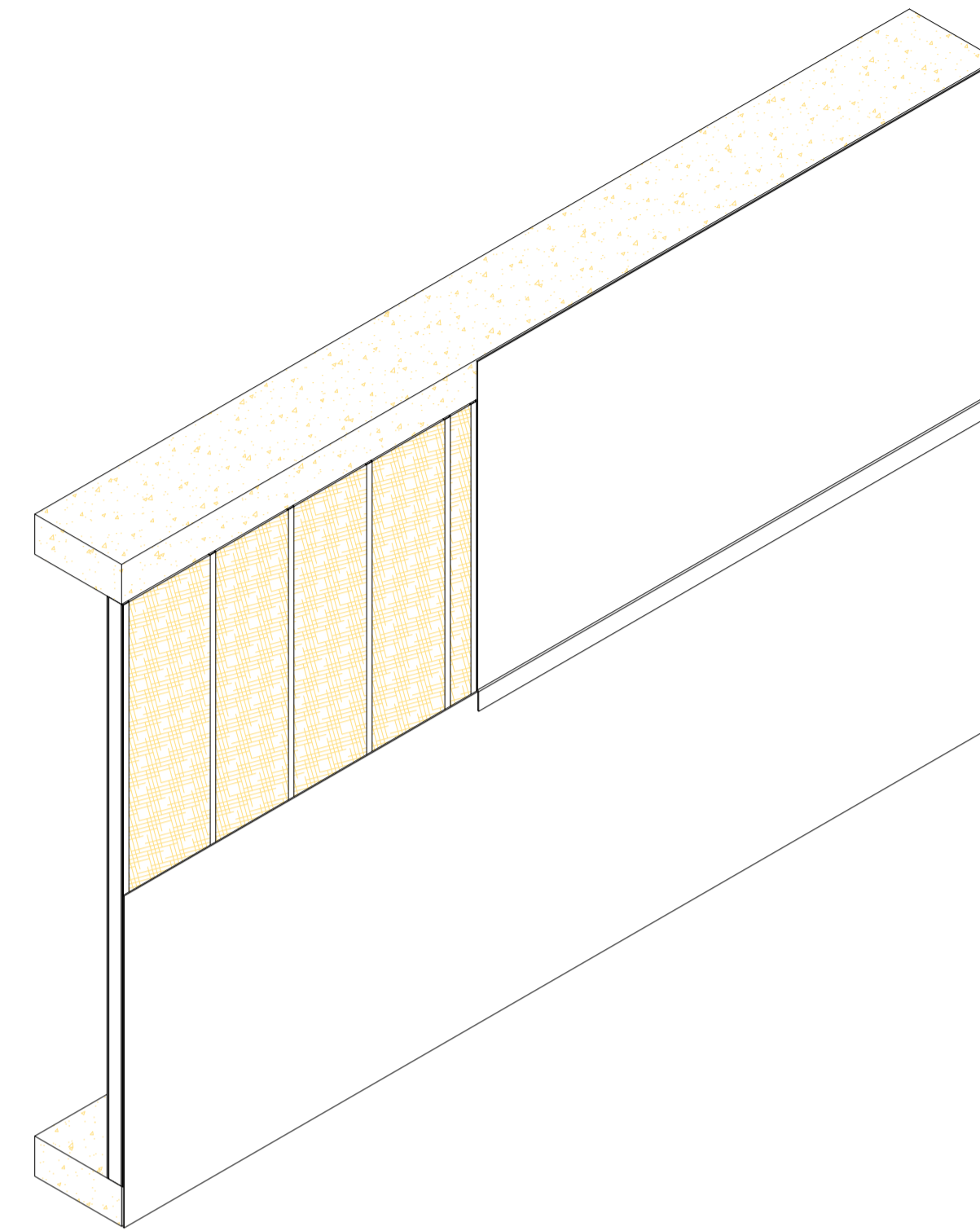
ASSEMBLING PROCESS



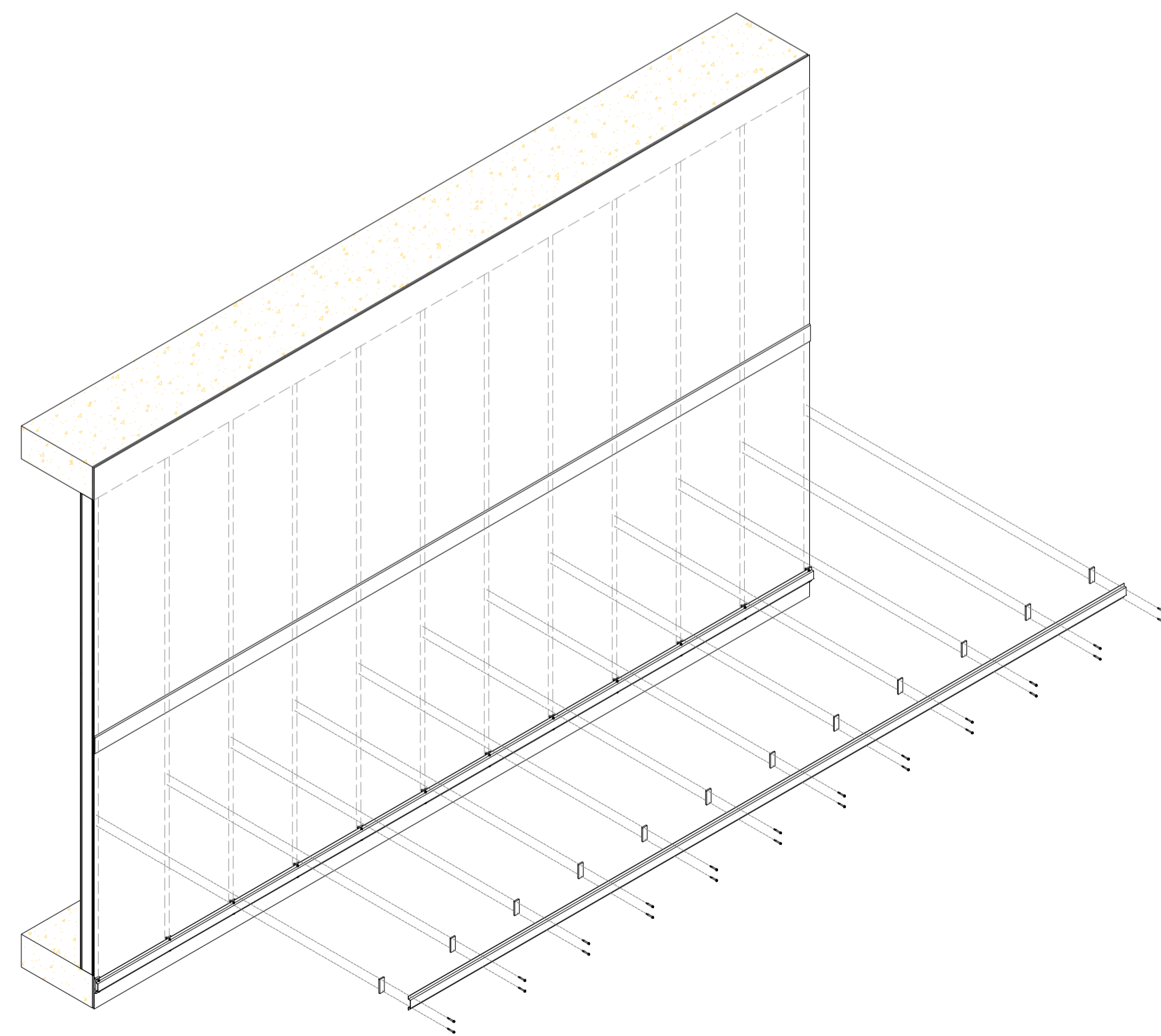
1. STUD WALL



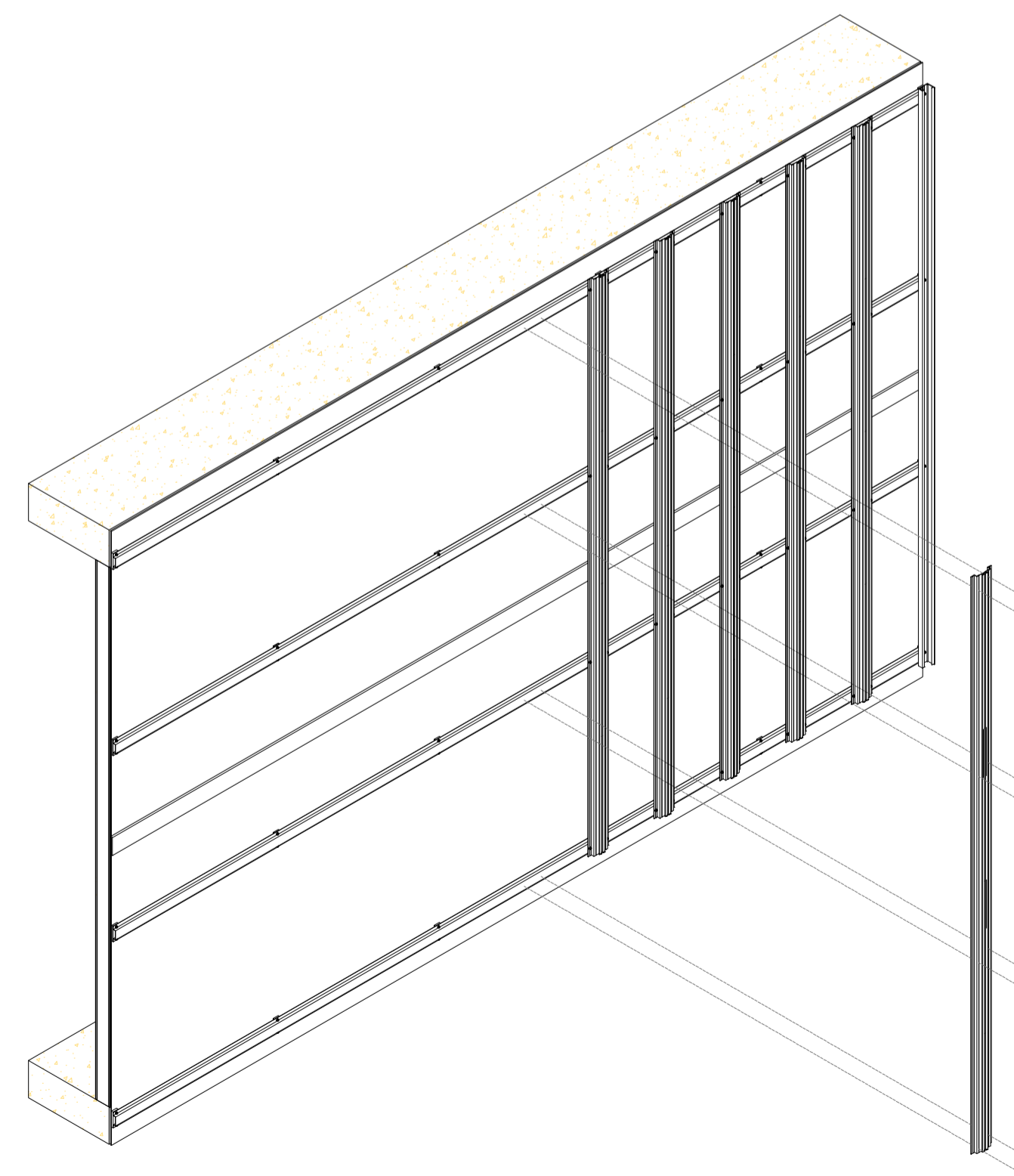
2. ENGINEERED BACKPAN



3. ENGINEERED BACKPAN



4. TOP HAT 15 MM GALVANIZED STEEL



5. FRONTEK FT03-01 [1] VERTICAL WALL HUNG/CEILING INSTALLATION RAIL

FOR INFORMATION

COPYRIGHT

These designs, details and/or specifications and the Copyright Therein, remain the property of

Frontek Australia.

and shall not be divulged in any form whatsoever without written permission of

Frontek Australia.

All fixings sizes and types to be engineered by constructors

DRAWING DESCRIPTION
ASSEMBLING PROCESS

FACADE TYPE
92 MM STUD WALL

FRONTEK SYSTEM
VERTICAL CONFIGURATION

DRAWN BY
BEATRIZ QUINTANA

FIRST DRAWN DATE 16/05/2018

REVIEWED BY
-

SCALE 1/20 SIZE A3

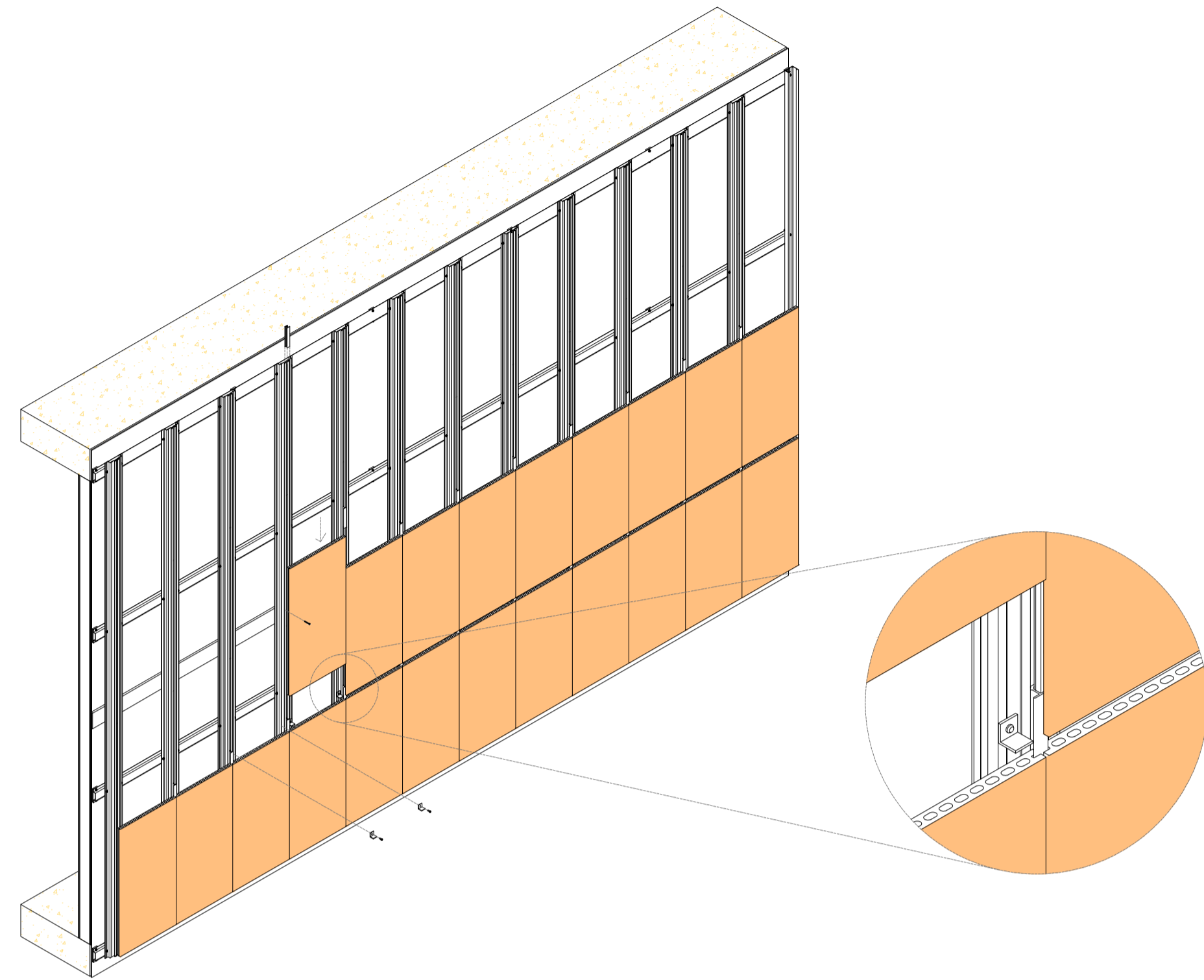
DRAWING NO. V101

frontek
cerámica tecnológica en fachadas

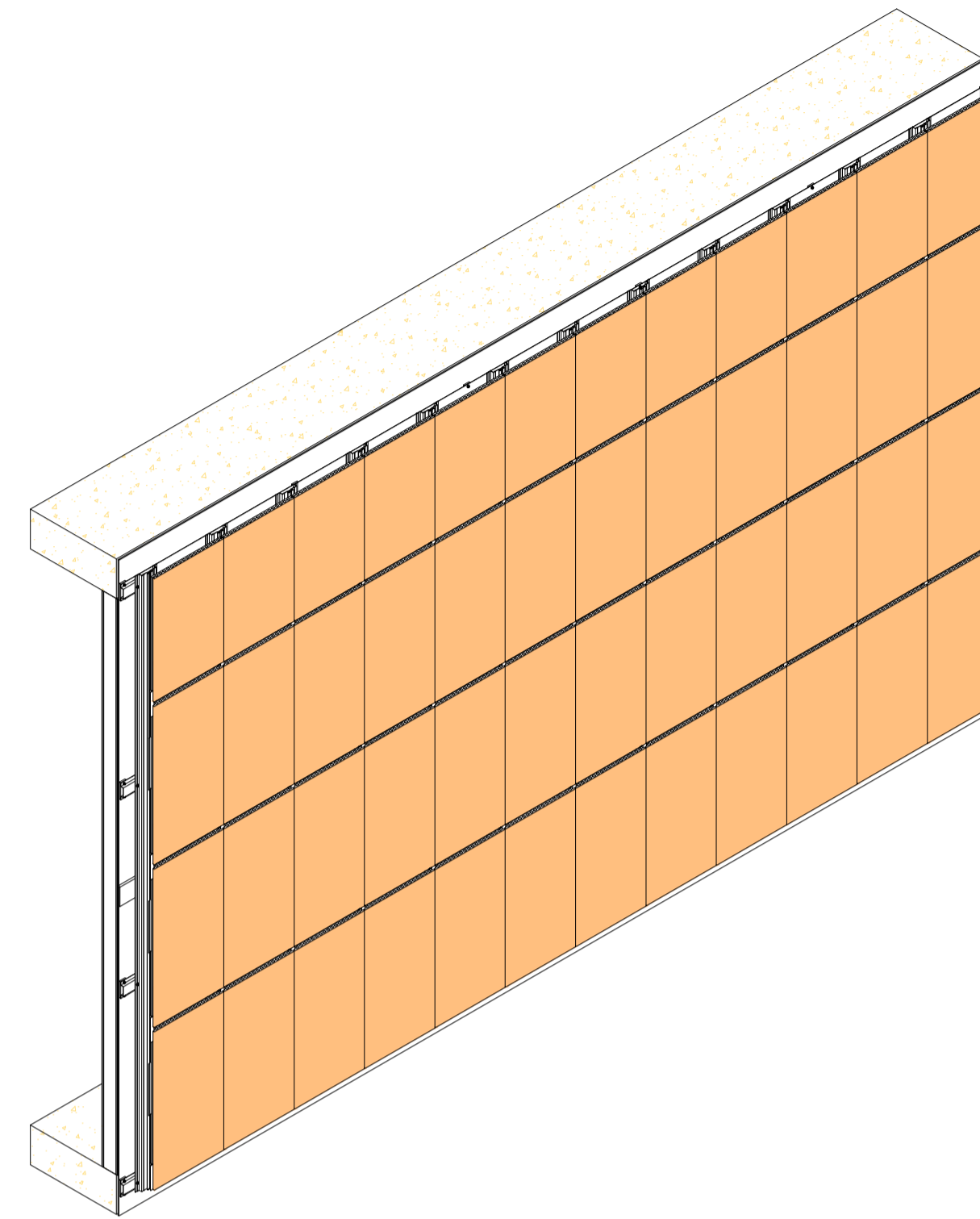
FRONTEK AUSTRALIA PTY LTD.
www.frontek.com.au
+61 2 9316 6818

Vertical Configuration STUD WALL

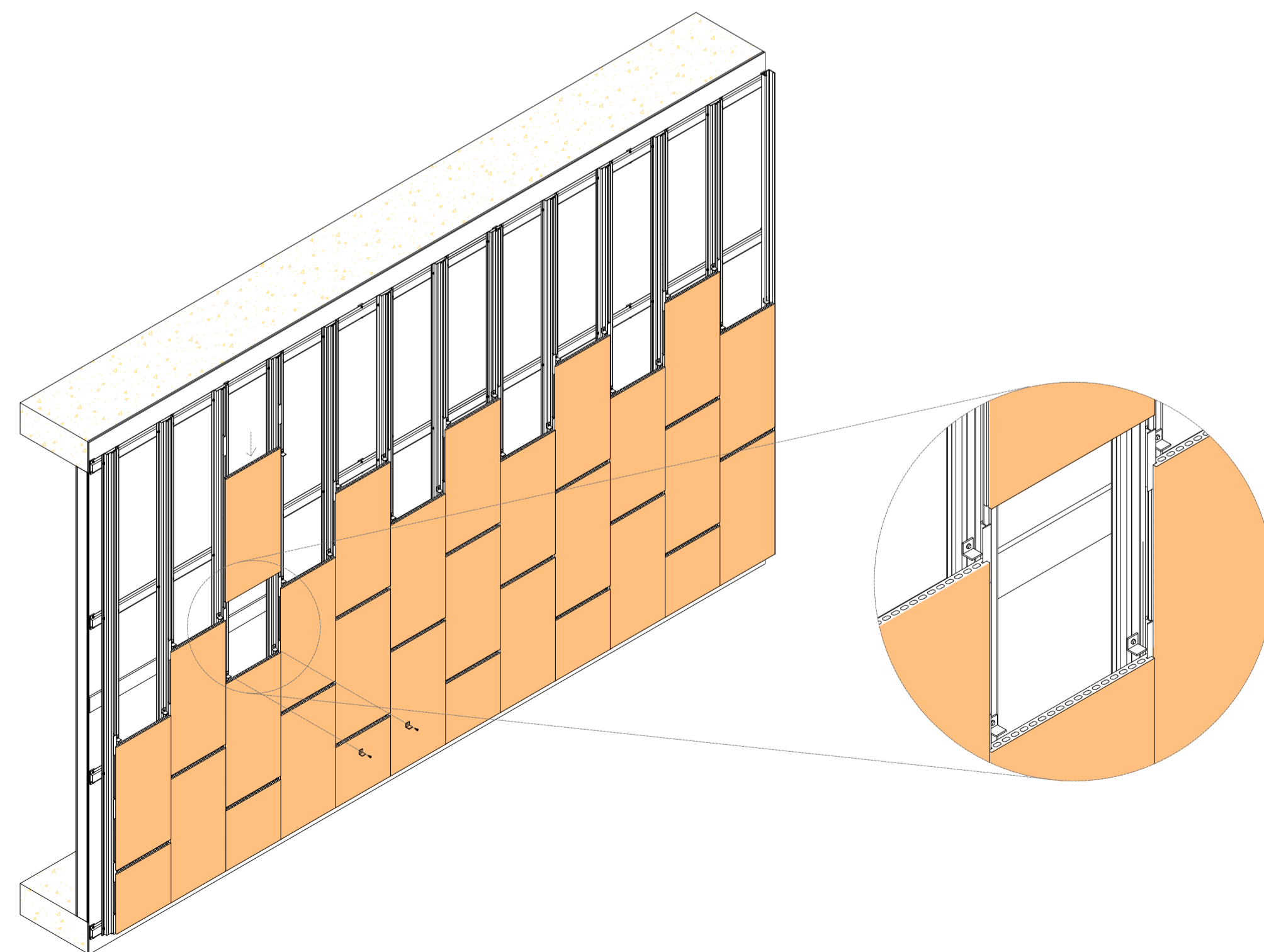
ASSEMBLING PROCESS



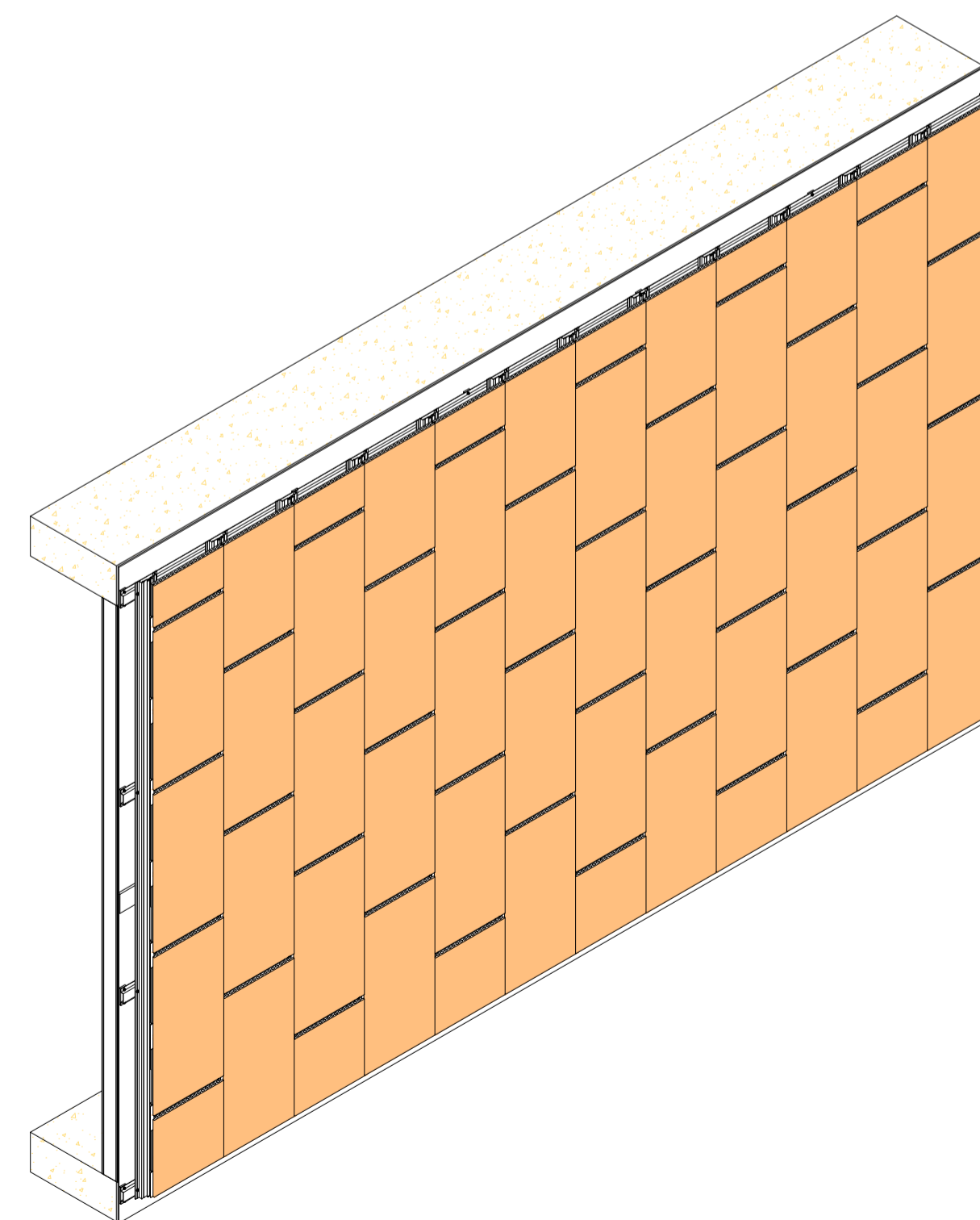
6A. VERTICAL NET PATTERN CONFIGURATION:
FT01-01 [1] VERTICAL WALL HUNG/CEILING INSTALL. RAIL CLIP WITH SCREW



7A. VERTICAL NET PATTERN CONFIGURATION



6B. VERTICAL BRICK PATTERN CONFIGURATION:
FT01-01 [1] VERTICAL WALL HUNG/CEILING INSTALL. RAIL CLIP WITH SCREW



7B. VERTICAL BRICK PATTERN CONFIGURATION

FOR INFORMATION

COPYRIGHT

These designs, details and/or specifications and the Copyright Therein, remain the property of

Frontek Australia.

and shall not be divulged in any form whatsoever without written permission of

Frontek Australia.

All fixings sizes and types to be engineered by constructors

DRAWING DESCRIPTION
ASSEMBLING PROCESS

FACADE TYPE
92 MM STUD WALL

FRONTEK SYSTEM
VERTICAL CONFIGURATION

DRAWN BY
BEATRIZ QUINTANA

FIRST DRAWN DATE 16/05/2018

REVIEWED BY
-

SCALE 1/20 SIZE A3

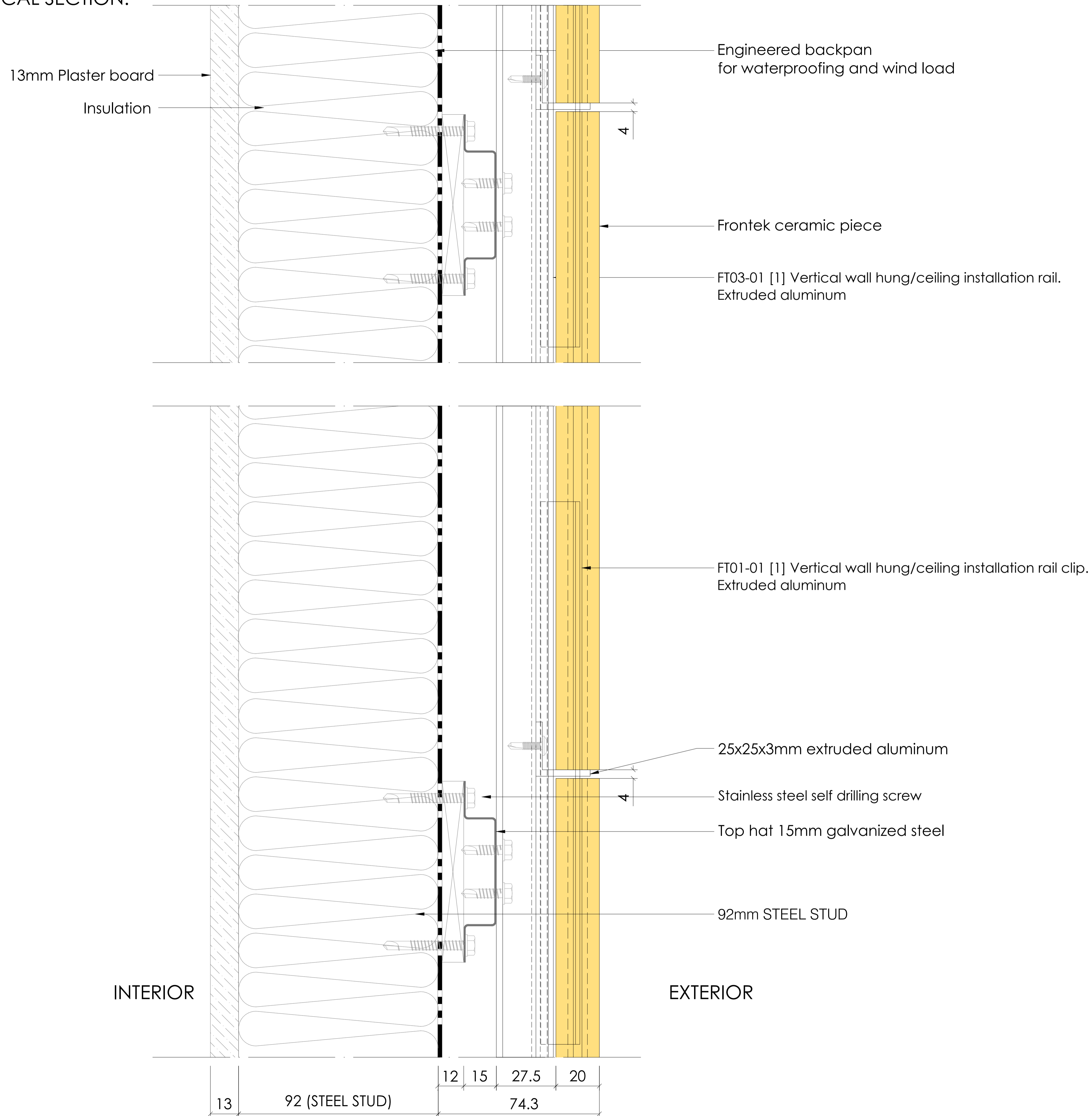
DRAWING NO. V102

frontek
cerámica tecnológica en fachadas

FRONTEK AUSTRALIA PTY LTD.
www.frontek.com.au
+61 2 9316 6818

Vertical Configuration STUD WALL

VERTICAL SECTION.



FOR INFORMATION

COPYRIGHT

These designs, details and/or specifications and the Copyright Therein, remain the property of **Frontek Australia.** and shall not be divulged in any form whatsoever without written permission of **Frontek Australia.**

All fixings sizes and types to be engineered by constructors

DRAWING DESCRIPTION
VERTICAL SECTION

FACADE TYPE
92 MM STUD WALL

FRONTEK SYSTEM
VERTICAL CONFIGURATION

DRAWN BY
BEATRIZ QUINTANA

FIRST DRAWN DATE 16/05/2018

REVIEWED BY
-

SCALE 1/20 SIZE A3

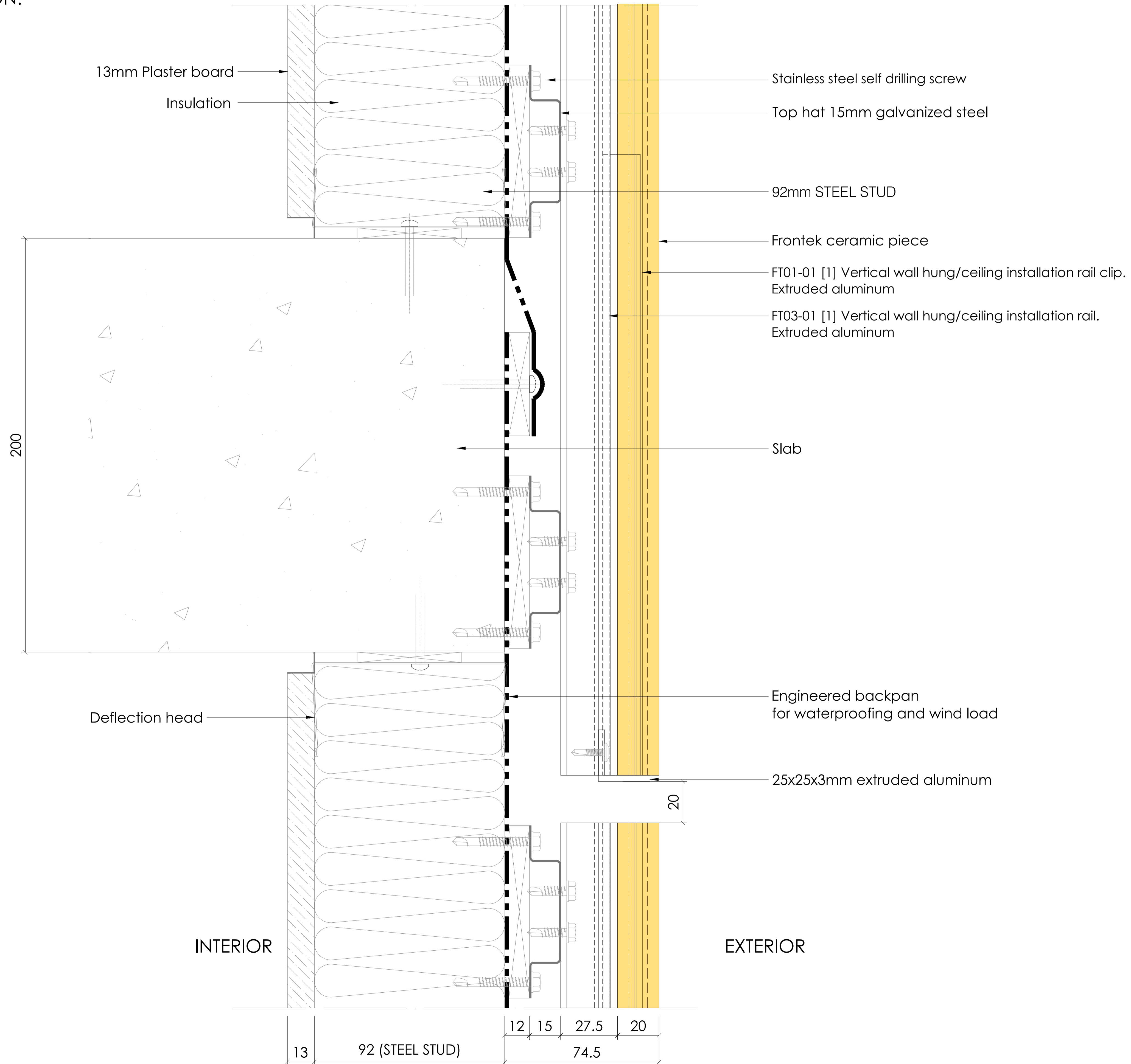
DRAWING NO. D101

frontek
cerámica tecnológica en fachadas

FRONTEK AUSTRALIA PTY LTD.
www.frontek.com.au
+61 2 9316 6818

Vertical Configuration STUD WALL

VERTICAL SECTION.



FOR INFORMATION

COPYRIGHT

These designs, details and/or specifications and the Copyright Therein, remain the property of **Frontek Australia.** and shall not be divulged in any form whatsoever without written permission of **Frontek Australia.**

All fixings sizes and types to be engineered by constructors

DRAWING DESCRIPTION
VERTICAL SECTION

FACADE TYPE
92 MM STUD WALL

FRONTEK SYSTEM
VERTICAL CONFIGURATION

DRAWN BY
BEATRIZ QUINTANA

FIRST DRAWN DATE 16/05/2018

REVIEWED BY
-

SCALE 1/20 SIZE A3

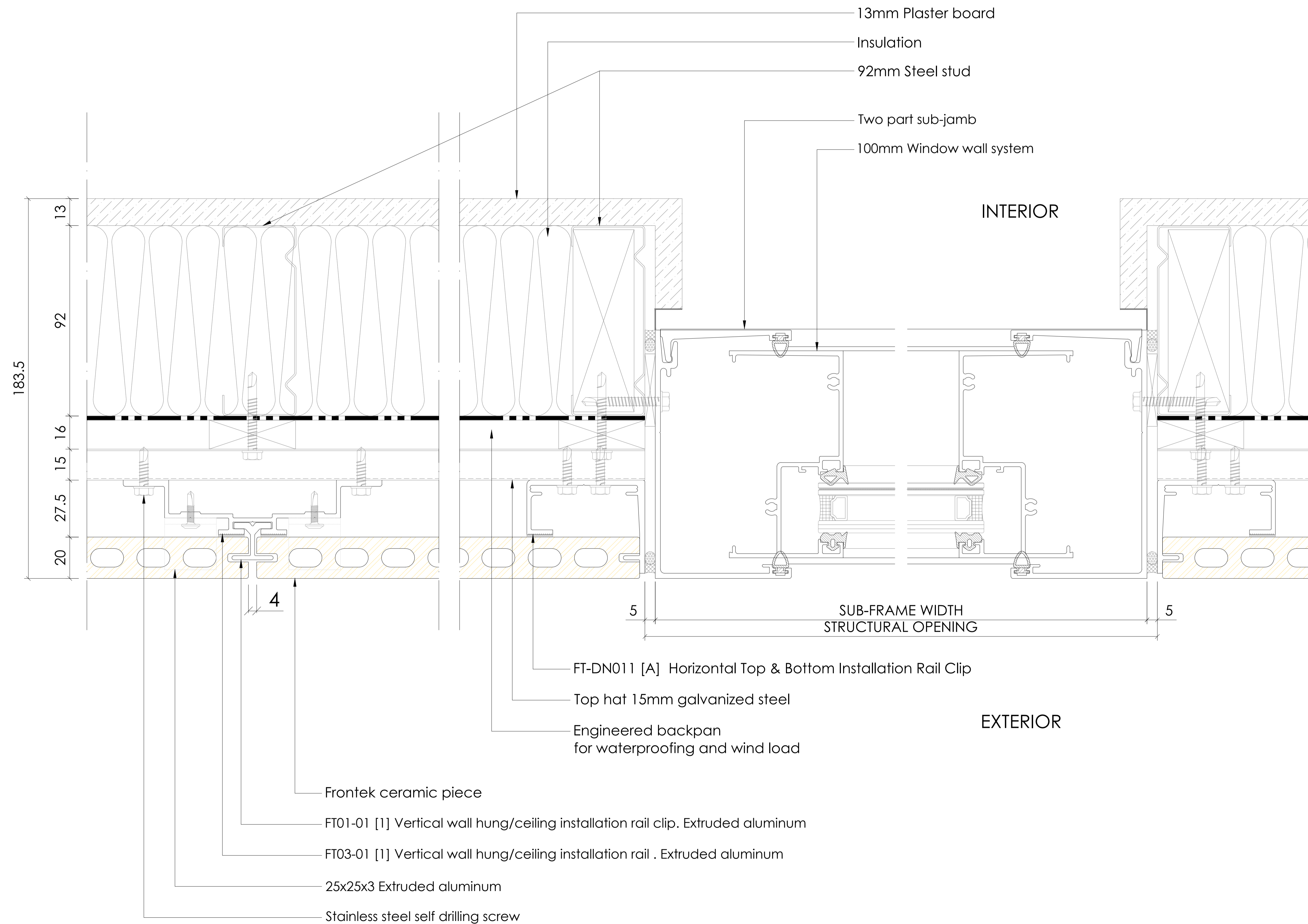
DRAWING NO. D102

frontek
cerámica tecnológica en fachadas

FRONTEK AUSTRALIA PTY LTD.
www.frontek.com.au
+61 2 9316 6818

Vertical Configuration STUD WALL

HORIZONTAL SECTION.
FLUSH FACADE DETAIL



FOR INFORMATION

COPYRIGHT

These designs, details and/or specifications and the Copyright Therein, remain the property of **Frontek Australia.** and shall not be divulged in any form whatsoever without written permission of **Frontek Australia.**

All fixings sizes and types to be engineered by constructors

DRAWING DESCRIPTION
HORIZONTAL SECTION
FLUSH FACADE DETAIL

FACADE TYPE
92 MM STUD WALL

FRONTEK SYSTEM
VERTICAL CONFIGURATION

DRAWN BY
BEATRIZ QUINTANA

FIRST DRAWN DATE 16/05/2018

REVIEWED BY
-

SCALE 1/20 SIZE A3

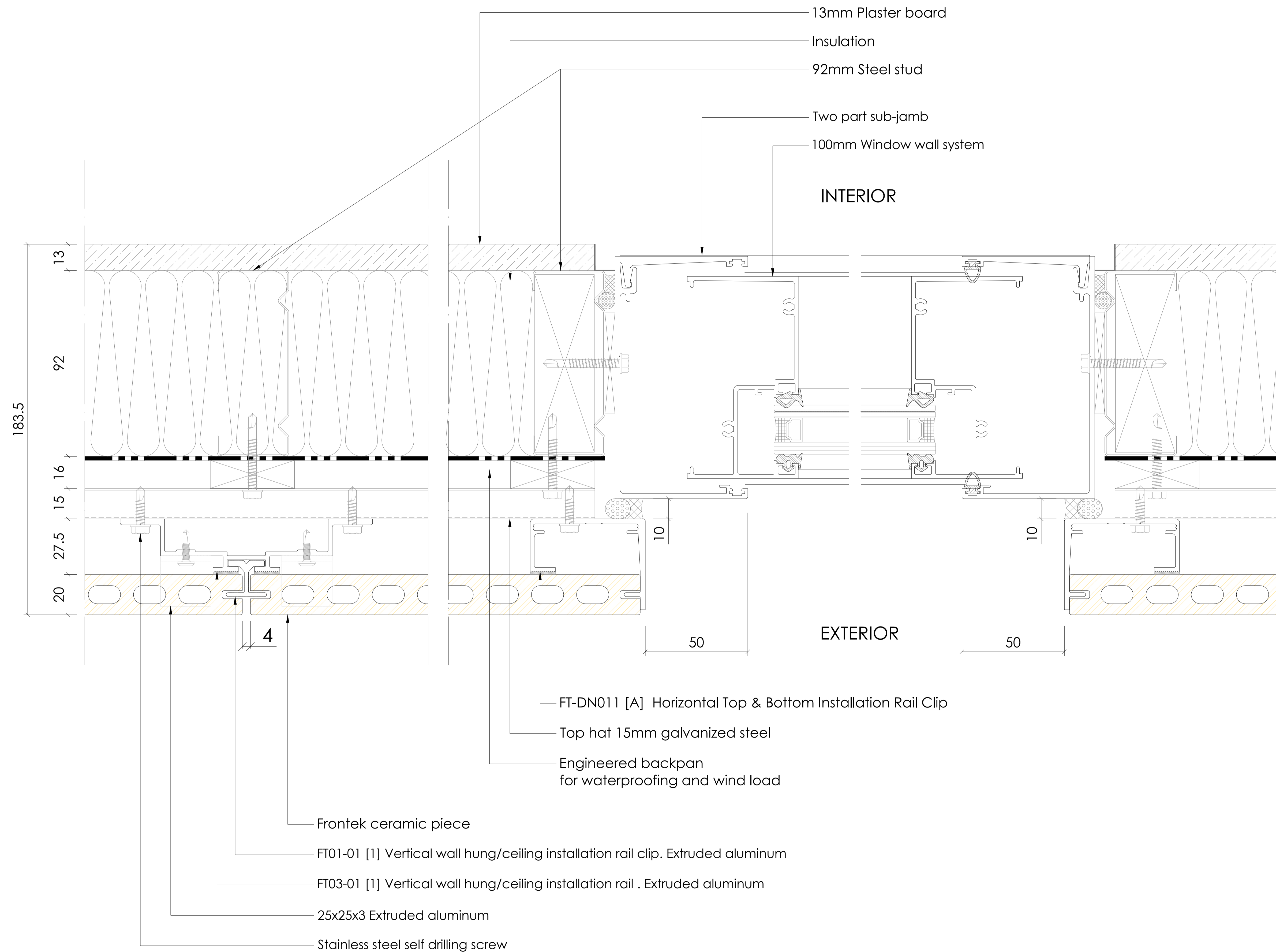
DRAWING NO. D103

frontek
cerámica tecnológica en fachadas

FRONTEK AUSTRALIA PTY LTD.
www.frontek.com.au
+61 2 9316 6818

Vertical Configuration STUD WALL

HORIZONTAL SECTION.
REVEAL FACADE DETAIL



FOR INFORMATION

COPYRIGHT

These designs, details and/or specifications and the Copyright Therein, remain the property of **Frontek Australia.** and shall not be divulged in any form whatsoever without written permission of **Frontek Australia.**

All fixings sizes and types to be engineered by constructors

DRAWING DESCRIPTION
HORIZONTAL SECTION
REVEAL FACADE DETAIL

FACADE TYPE
92 MM STUD WALL

FRONTEK SYSTEM
VERTICAL CONFIGURATION

DRAWN BY
BEATRIZ QUINTANA

FIRST DRAWN DATE 16/05/2018

REVIEWED BY
-

SCALE 1/20 SIZE A3

DRAWING NO. D104

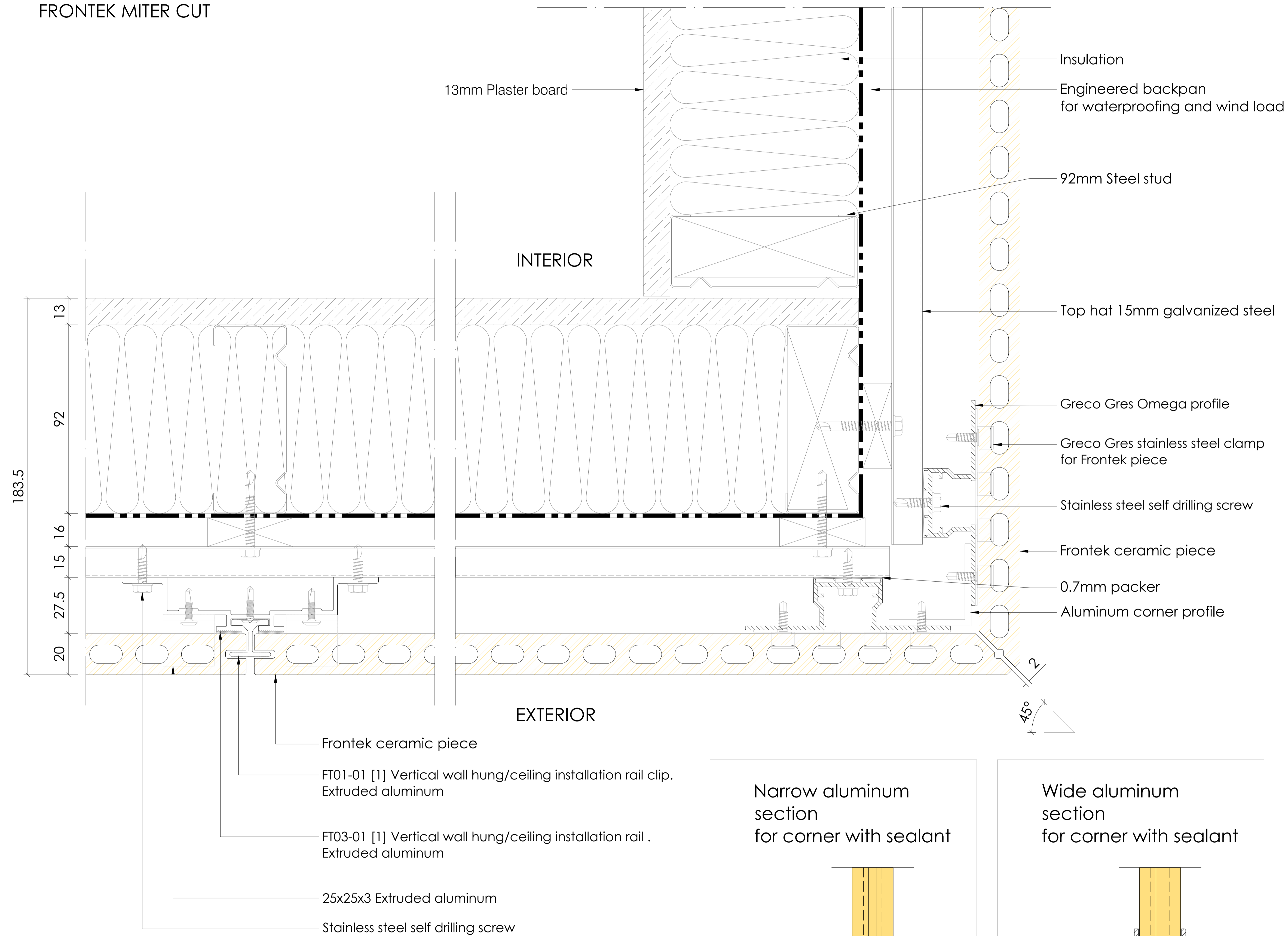
frontek
cerámica tecnológica en fachadas

FRONTEK AUSTRALIA PTY LTD.
www.frontek.com.au
+61 2 9316 6818

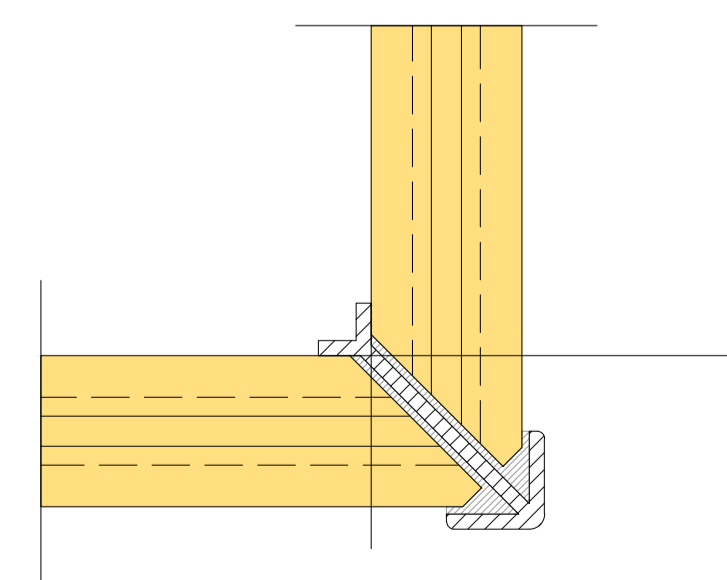
Vertical Configuration STUD WALL

HORIZONTAL SECTION. OUTSIDE CORNER.

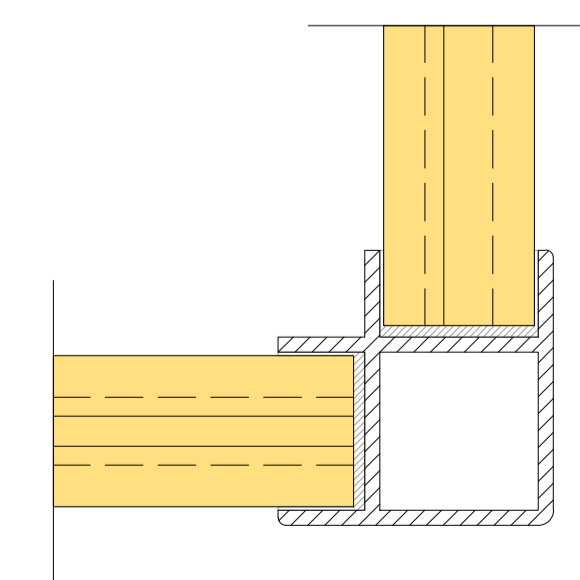
FRONTEK MITER CUT



Narrow aluminum section for corner with sealant



Wide aluminum section for corner with sealant



FOR INFORMATION

COPYRIGHT

These designs, details and/or specifications and the Copyright Therein, remain the property of **Frontek Australia.** and shall not be divulged in any form whatsoever without written permission of **Frontek Australia.**

All fixings sizes and types to be engineered by constructors

DRAWING DESCRIPTION
HORIZONTAL SECTION
OUTSIDE CORNER

FACADE TYPE
92 MM STUD WALL

FRONTEK SYSTEM
VERTICAL CONFIGURATION

DRAWN BY
BEATRIZ QUINTANA

FIRST DRAWN DATE 16/05/2018

REVIEWED BY

SCALE 1/20 SIZE A3

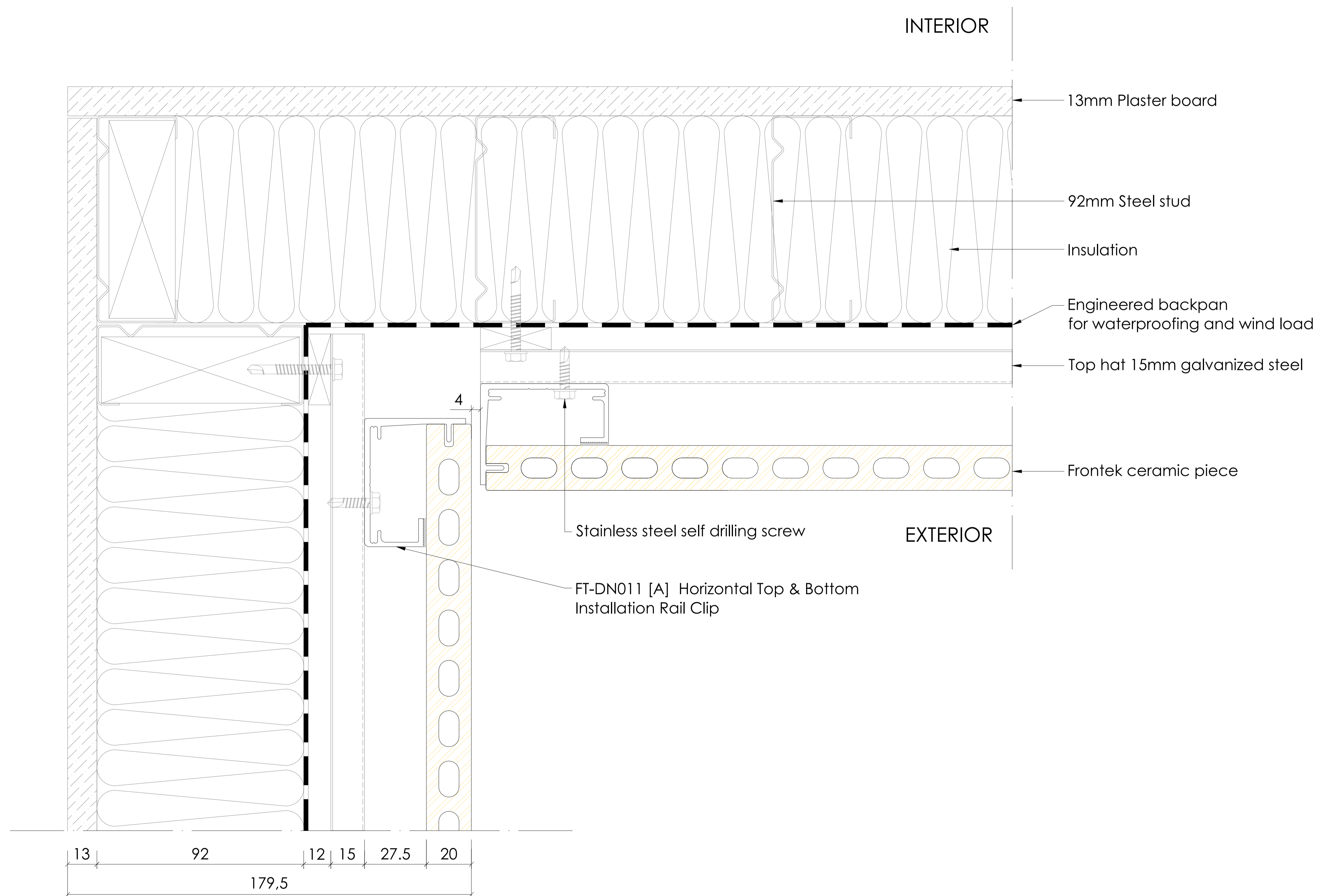
DRAWING NO. D105

frontek
cerámica tecnológica en fachadas

FRONTEK AUSTRALIA PTY LTD.
www.frontek.com.au
+61 2 9316 6818

Horizontal Configuration STUD WALL

HORIZONTAL SECTION. INTERIOR CORNER.



FOR INFORMATION

COPYRIGHT

These designs, details and/or specifications and the Copyright Therein, remain the property of

Frontek Australia.

and shall not be divulged in any form whatsoever without written permission of

Frontek Australia.

All fixings sizes and types to be engineered by constructors

DRAWING DESCRIPTION
HORIZONTAL SECTION
INTERIOR CORNER

FACADE TYPE
92 MM STUD WALL

FRONTEK SYSTEM
VERTICAL CONFIGURATION

DRAWN BY
BEATRIZ QUINTANA

FIRST DRAWN DATE 16/05/2018

REVIEWED BY
-

SCALE 1/20 SIZE A3

DRAWING NO. D106

frontek
cerámica tecnológica en fachadas

FRONTEK AUSTRALIA PTY LTD.
www.frontek.com.au
+61 2 9316 6818

frontek
cerámica tecnológica en fachadas



SOFFIT INSTALLATION

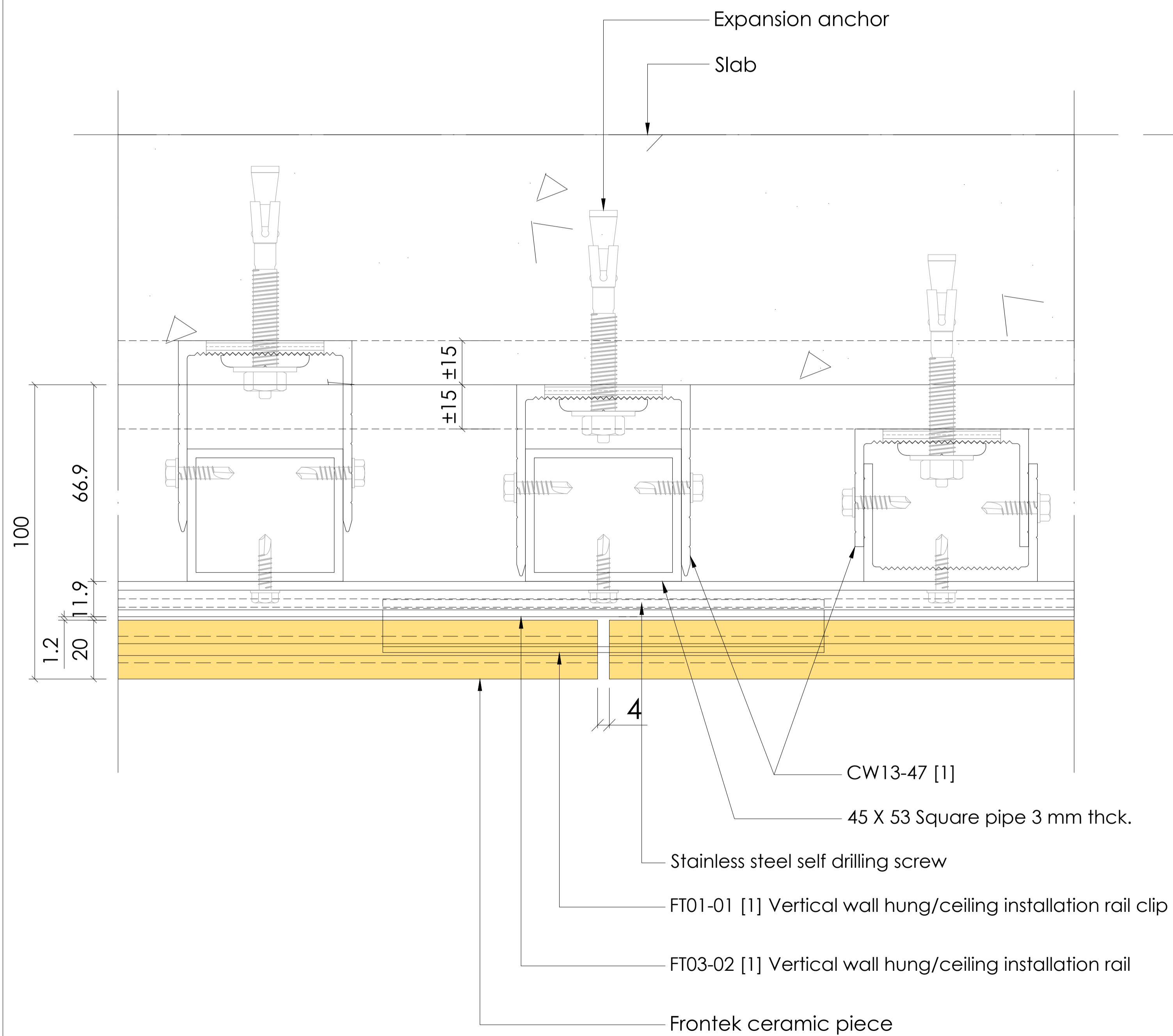
FRONTEK AUSTRALIA PTY LTD.

www.frontek.com.au

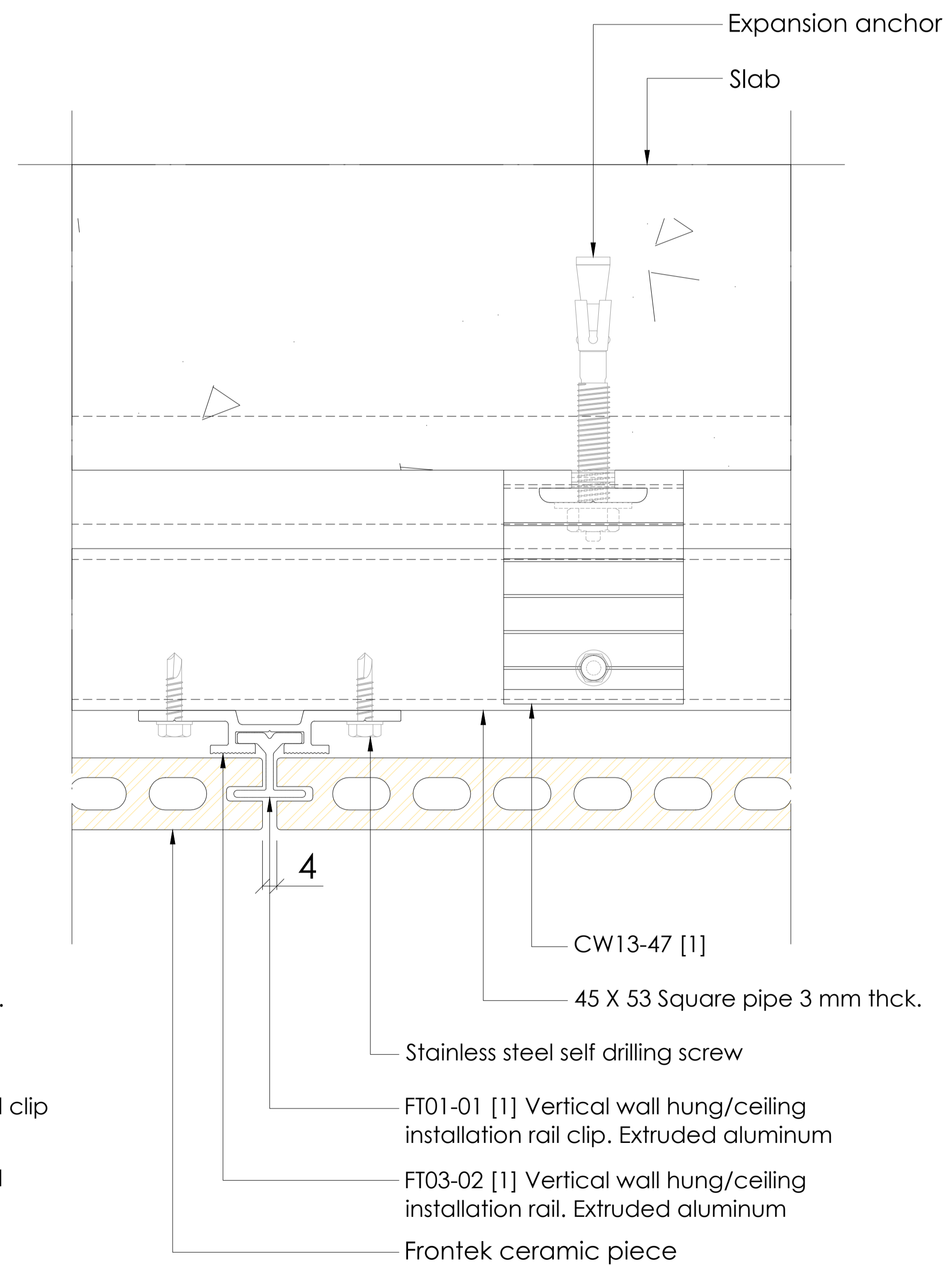
+61 2 9316 6818

Ceiling 100 mm

SOFFIT INSTALLATION



LONGITUDINAL SECTION



CROSS SECTION

FOR INFORMATION

COPYRIGHT

These designs, details and/or specifications and the Copyright Therein, remain the property of

Frontek Australia.

and shall not be divulged in any form whatsoever without written permission of

Frontek Australia.

All fixings sizes and types to be engineered by constructors

DRAWING DESCRIPTION
SECTIONS

FACADE TYPE
-

FRONTEK SYSTEM
SOFFIT

DRAWN BY
BEATRIZ QUINTANA

FIRST DRAWN DATE 14/05/2018

REVIEWED BY
-

SCALE 1/20 SIZE A3

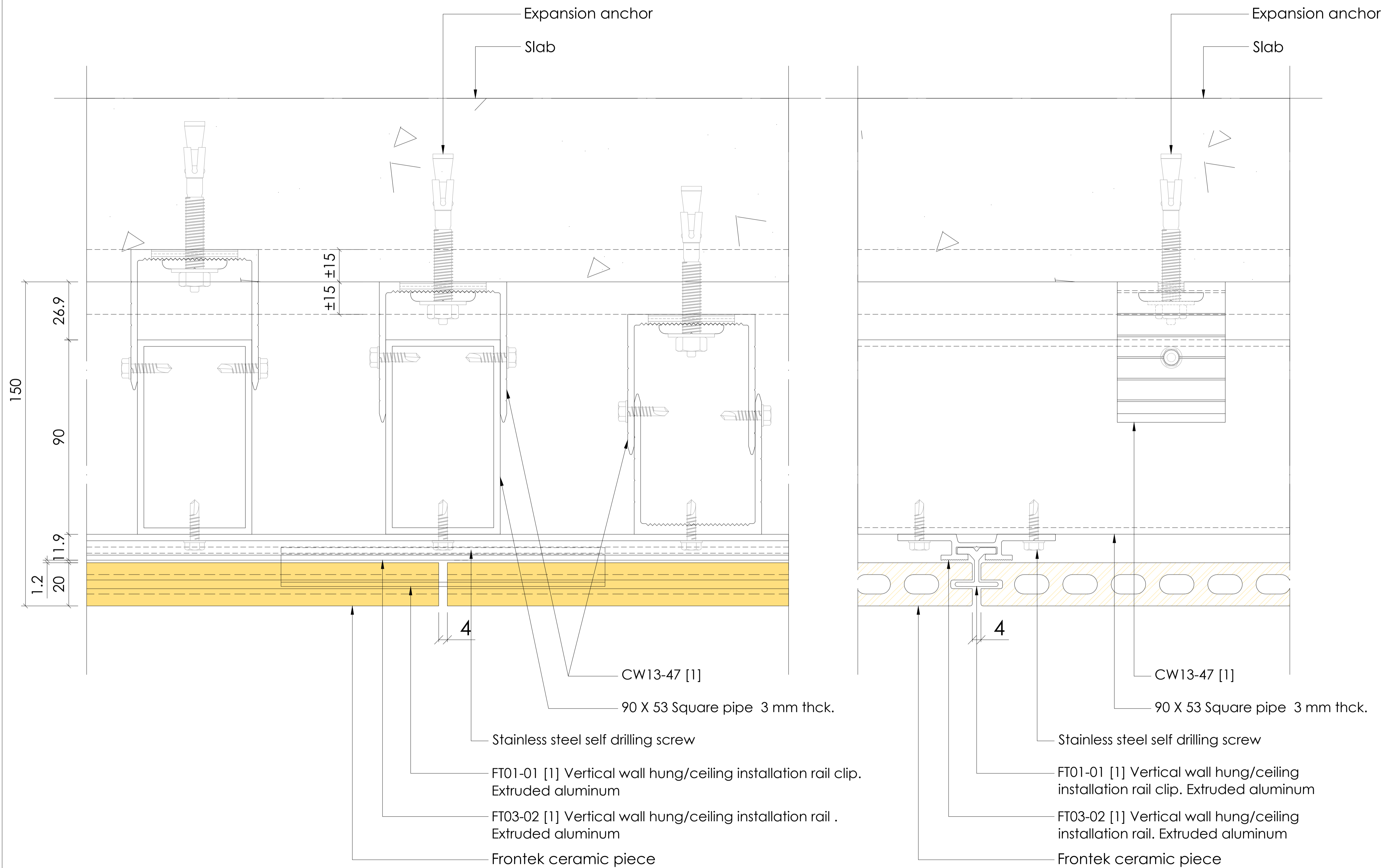
DRAWING NO. D001

frontek
cerámica tecnológica en fachadas

FRONTEK AUSTRALIA PTY LTD.
www.frontek.com.au
+61 2 9316 6818

Ceiling 150 mm

SOFFIT INSTALLATION



LONGITUDINAL SECTION

CROSS SECTION

FOR INFORMATION

COPYRIGHT

These designs, details and/or specifications and the Copyright Therein, remain the property of

Frontek Australia.

and shall not be divulged in any form whatsoever without written permission of

Frontek Australia.

All fixings sizes and types to be engineered by constructors

DRAWING DESCRIPTION
SECTIONS

FACADE TYPE
-

FRONTEK SYSTEM
SOFFIT

DRAWN BY
BEATRIZ QUINTANA

FIRST DRAWN DATE 14/05/2018

REVIEWED BY
-

SCALE 1/20 SIZE A3

DRAWING NO. D002

frontek
cerámica tecnológica en fachadas

FRONTEK AUSTRALIA PTY LTD.
www.frontek.com.au
+61 2 9316 6818