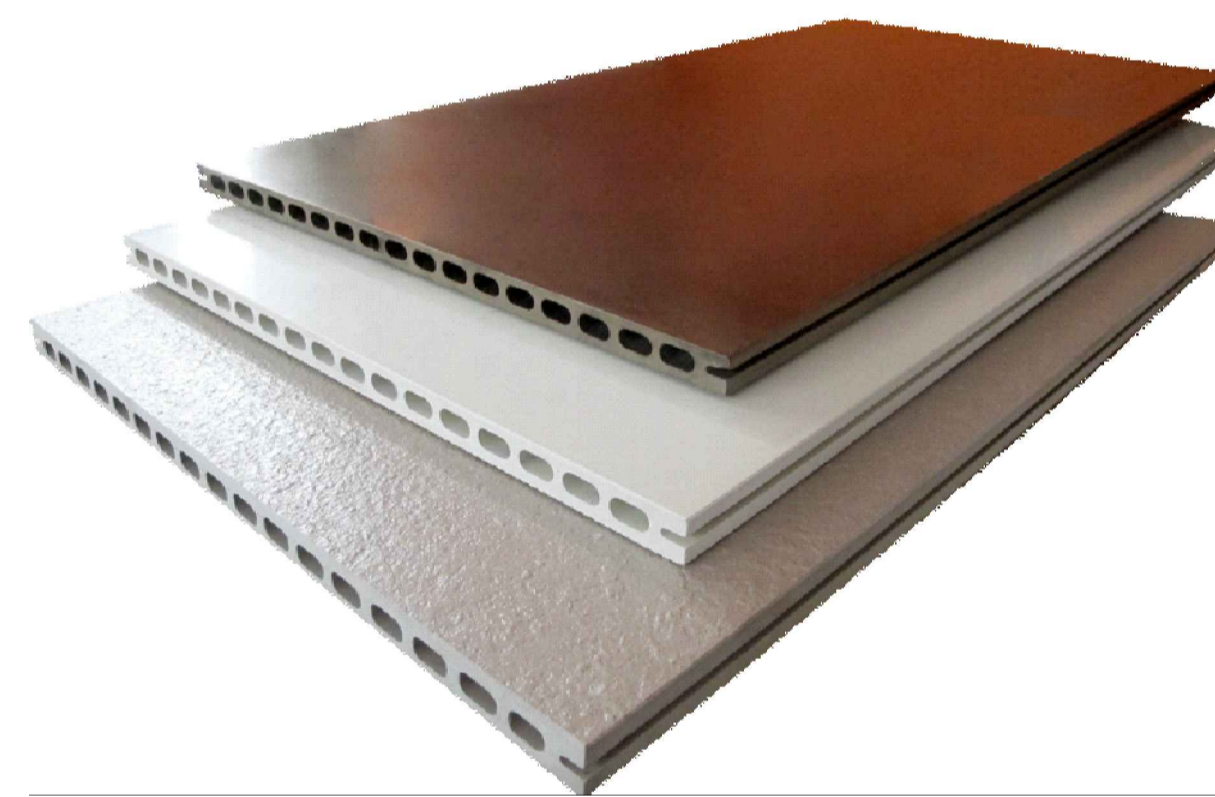


frontek
cerámica tecnológica en fachadas



BEARING WALL INSTALLATION HORIZONTAL CONFIGURATION

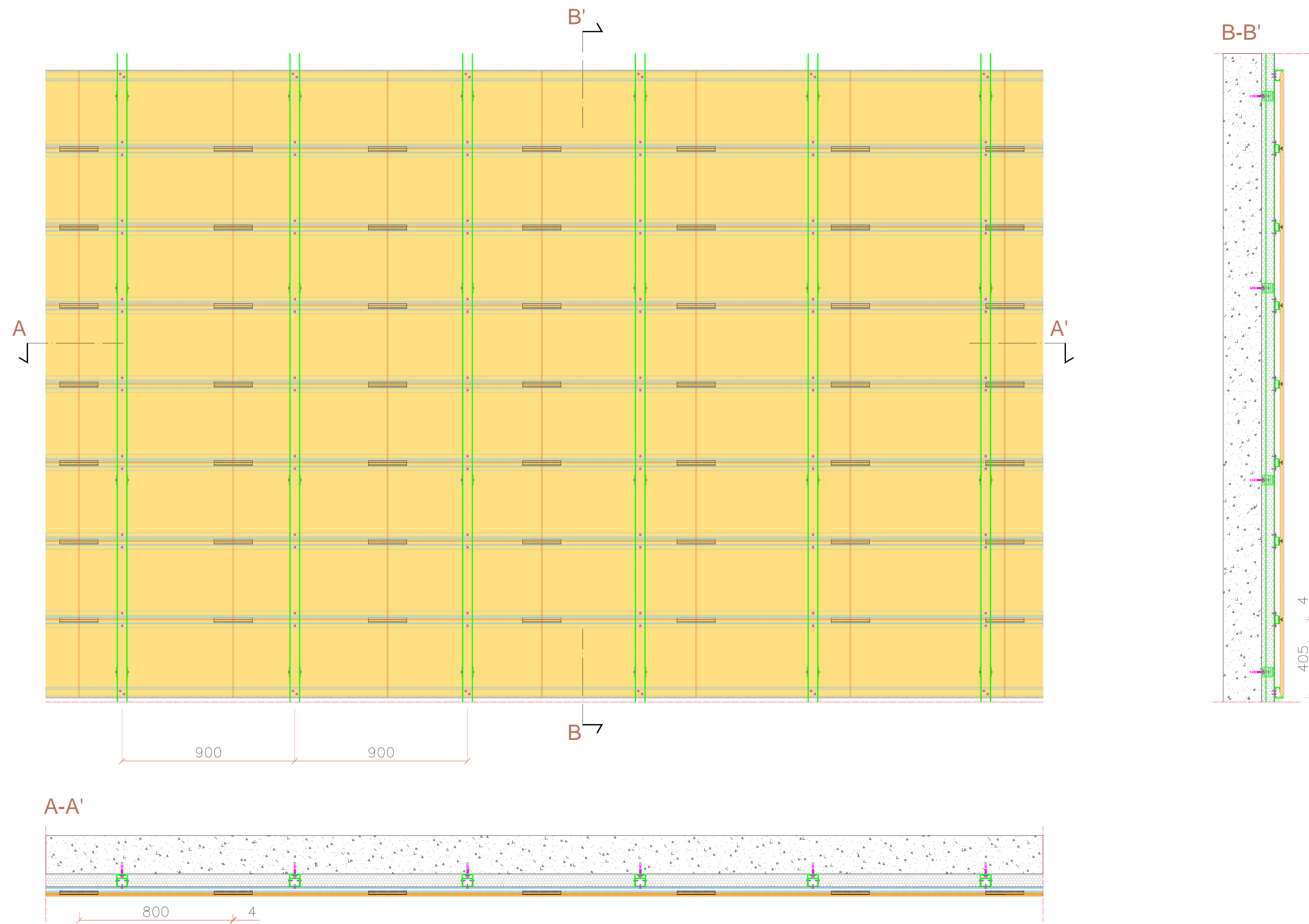
FRONTEK AUSTRALIA PTY LTD.

www.frontek.com.au

+61 2 9316 6818

Horizontal Configuration

FRONTEK STANDARD MODULE.



FOR INFORMATION

COPYRIGHT

These designs, details and/or specifications and the Copyright Therein, remain the property of

Frontek Australia.

and shall not be divulged in any form whatsoever without written permission of

Frontek Australia.

All fixings sizes and types to be engineered by constructors

DRAWING DESCRIPTION
STANDARD MODULE

SYSTEM
HORIZONTAL CONFIGURATION

DRAWN BY
-

FIRST DRAWN DATE 29/01/2018

REVIEWED BY
-

SCALE 1/250 SIZE A3

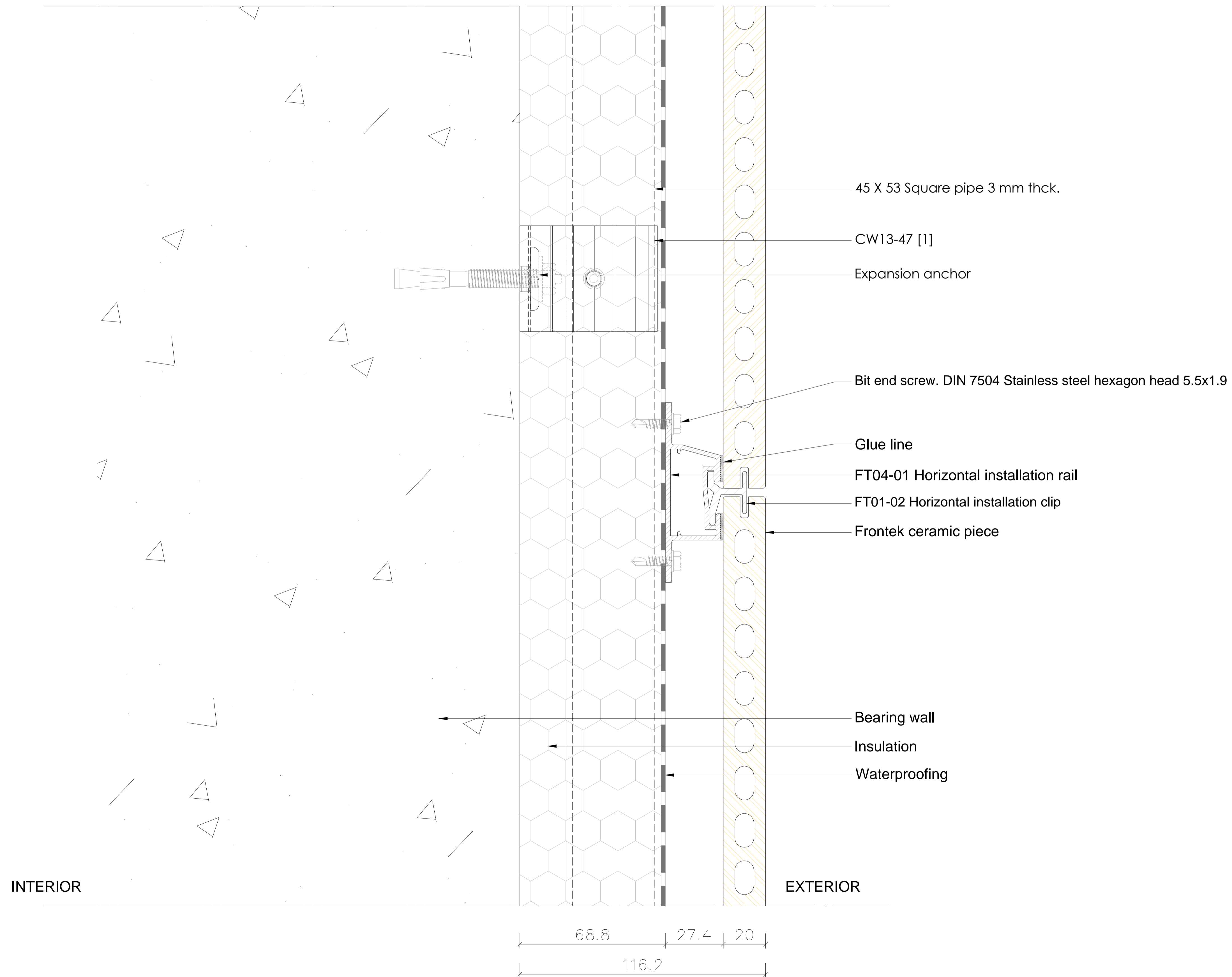
DRAWING NO. V100

frontek
cerámica tecnológica en fachadas

FRONTEK AUSTRALIA PTY LTD.
www.frontek.com.au
+61 2 9316 6818

Horizontal Configuration

VERTICAL SECTION.



FOR INFORMATION

COPYRIGHT

These designs, details and/or specifications and the Copyright Therein, remain the property of

Frontek Australia.

and shall not be divulged in any form whatsoever without written permission of

Frontek Australia.

All fixings sizes and types to be engineered by constructors

DRAWING DESCRIPTION
VERTICAL SECTION

FACADE TYPE
BEARING WALL

FRONTEK SYSTEM
HORIZONTAL CONFIGURATION

DRAWN BY
NURIA CASTRO

FIRST DRAWN DATE 14/05/2018

REVIEWED BY
-

SCALE 1/20 SIZE A3

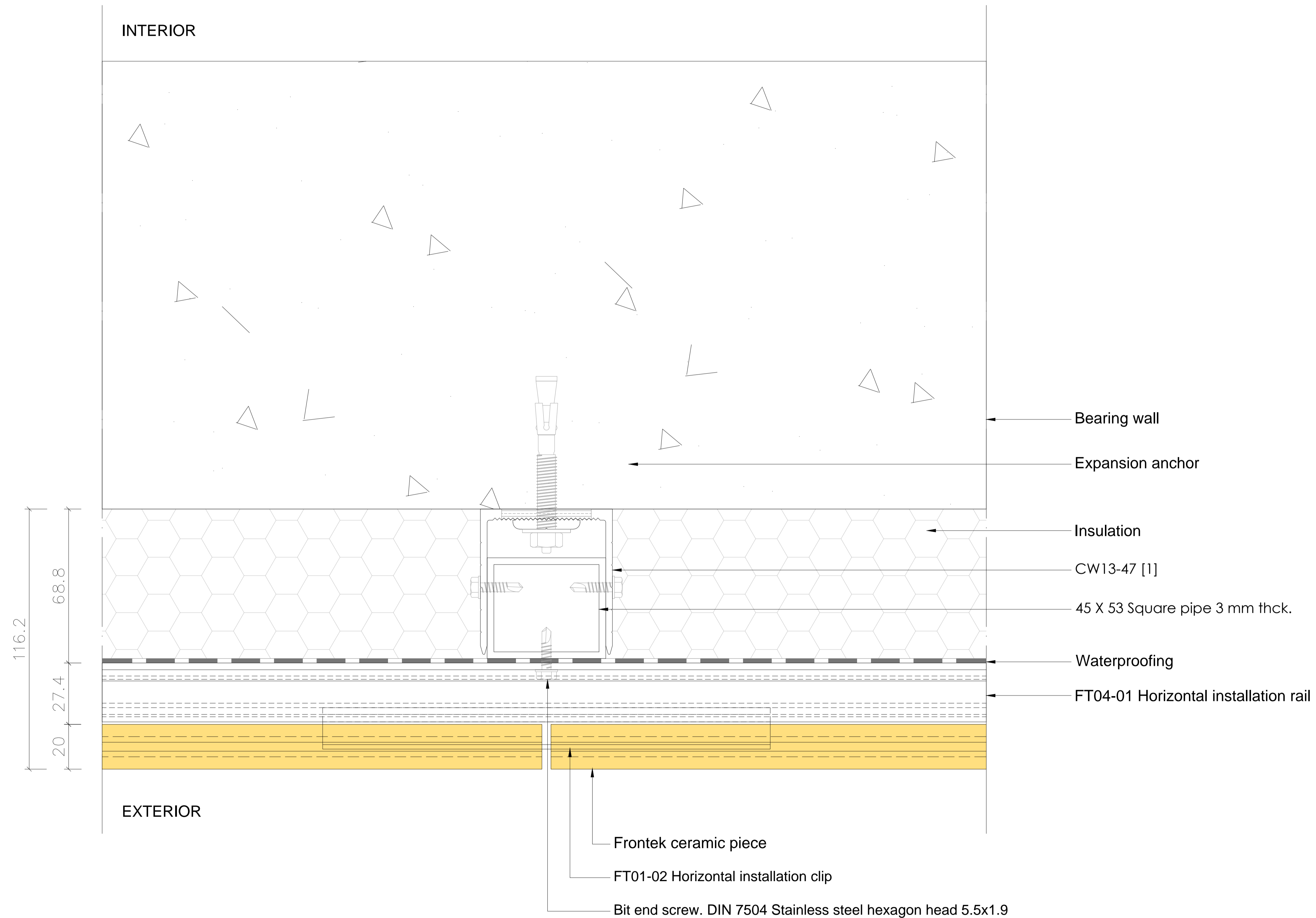
DRAWING NO. D001

frontek
cerámica tecnológica en fachadas

FRONTEK AUSTRALIA PTY LTD.
www.frontek.com.au
+61 2 9316 6818

Horizontal Configuration

HORIZONTAL SECTION.



FOR INFORMATION

COPYRIGHT

These designs, details and/or specifications and the Copyright Therein, remain the property of

Frontek Australia.

and shall not be divulged in any form whatsoever without written permission of

Frontek Australia.

All fixings sizes and types to be engineered by constructors

DRAWING DESCRIPTION
HORIZONTAL SECTION

FACADE TYPE
BEARING WALL

FRONTEK SYSTEM
HORIZONTAL CONFIGURATION

DRAWN BY
NURIA CASTRO

FIRST DRAWN DATE 14/05/2018

REVIEWED BY
-

SCALE 1/20 SIZE A3

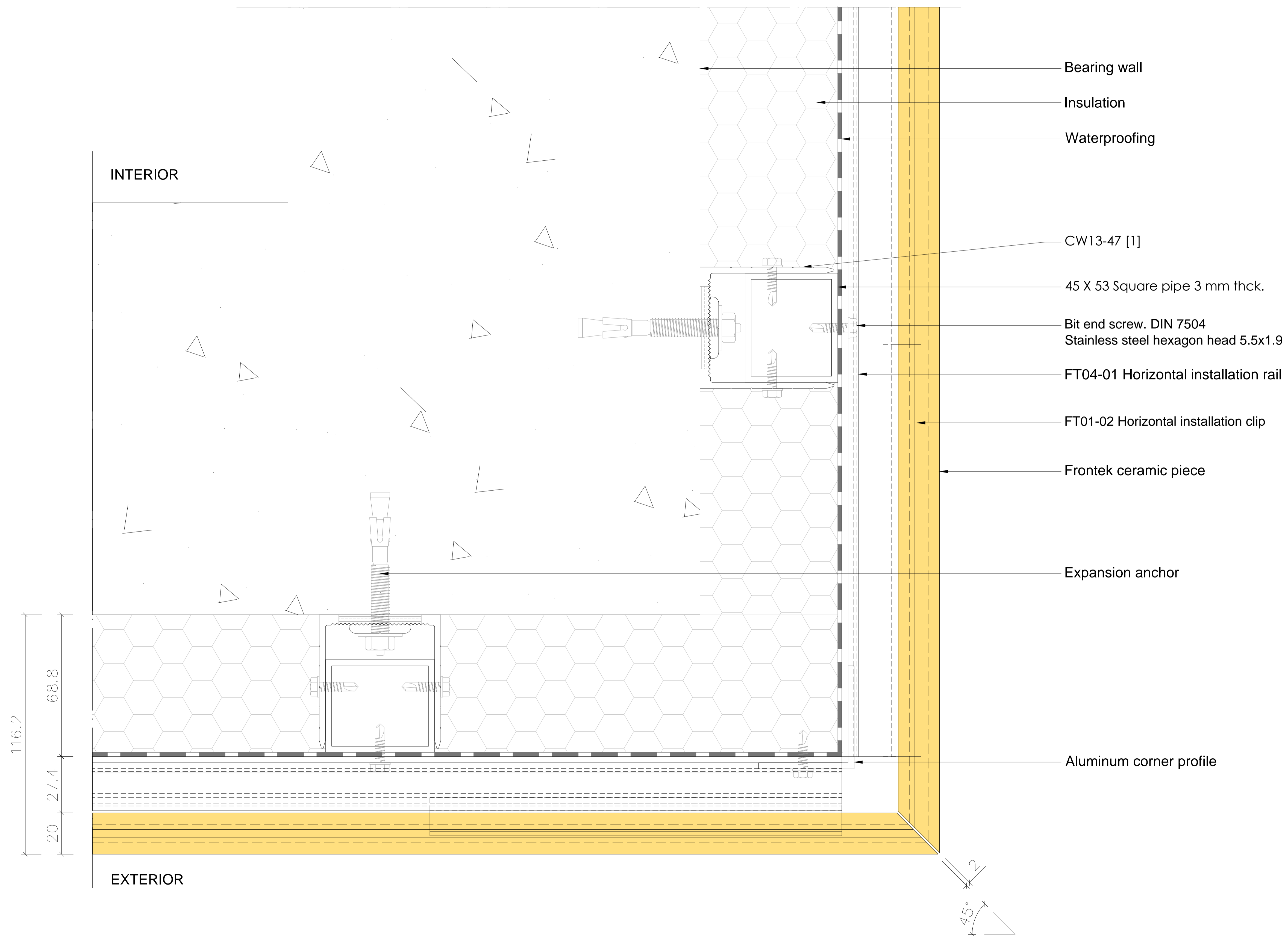
DRAWING NO. D002

frontek
cerámica tecnológica en fachadas

FRONTEK AUSTRALIA PTY LTD.
www.frontek.com.au
+61 2 9316 6818

Horizontal Configuration

HORIZONTAL SECTION. OUTSIDE CORNER.



FOR INFORMATION

COPYRIGHT

These designs, details and/or specifications and the Copyright Therein, remain the property of

Frontek Australia.

and shall not be divulged in any form whatsoever without written permission of

Frontek Australia.

All fixings sizes and types to be engineered by constructors

DRAWING DESCRIPTION
HORIZONTAL SECTION
OUTSIDE CORNER

FACADE TYPE
BEARING WALL

FRONTEK SYSTEM
HORIZONTAL CONFIGURATION

DRAWN BY
NURIA CASTRO

FIRST DRAWN DATE 14/05/2018

REVIEWED BY
-

SCALE 1/20 SIZE A3

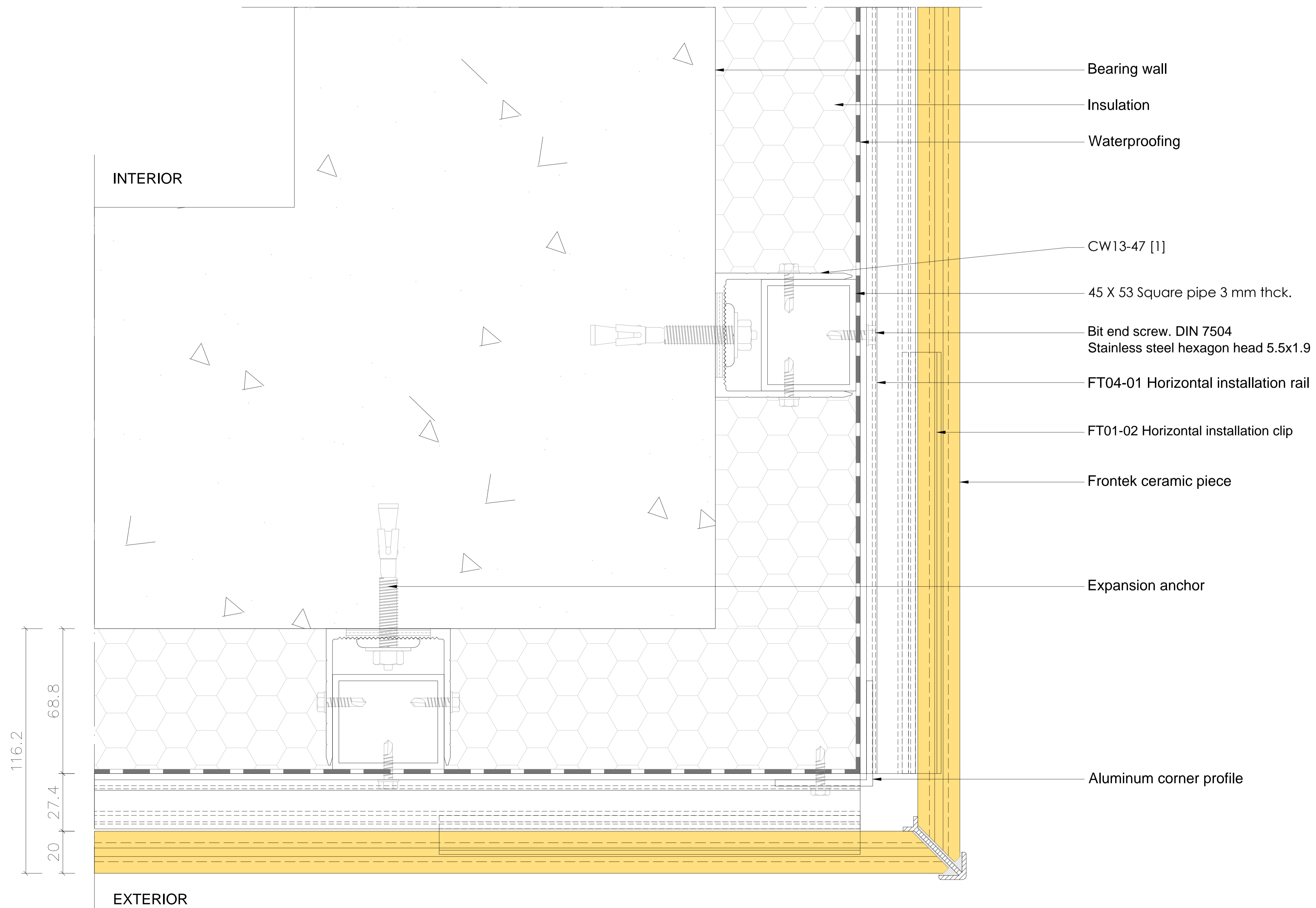
DRAWING NO. D003

frontek
cerámica tecnológica en fachadas

FRONTEK AUSTRALIA PTY LTD.
www.frontek.com.au
+61 2 9316 6818

Horizontal Configuration

HORIZONTAL SECTION. OUTSIDE CORNER.



FOR INFORMATION

COPYRIGHT

These designs, details and/or specifications and the Copyright Therein, remain the property of

Frontek Australia.

and shall not be divulged in any form whatsoever without written permission of

Frontek Australia.

All fixings sizes and types to be engineered by constructors

DRAWING DESCRIPTION
HORIZONTAL SECTION
OUTSIDE CORNER

FACADE TYPE
BEARING WALL

FRONTEK SYSTEM
HORIZONTAL CONFIGURATION

DRAWN BY
NURIA CASTRO

FIRST DRAWN DATE 14/05/2018

REVIEWED BY
-

SCALE 1/20 SIZE A3

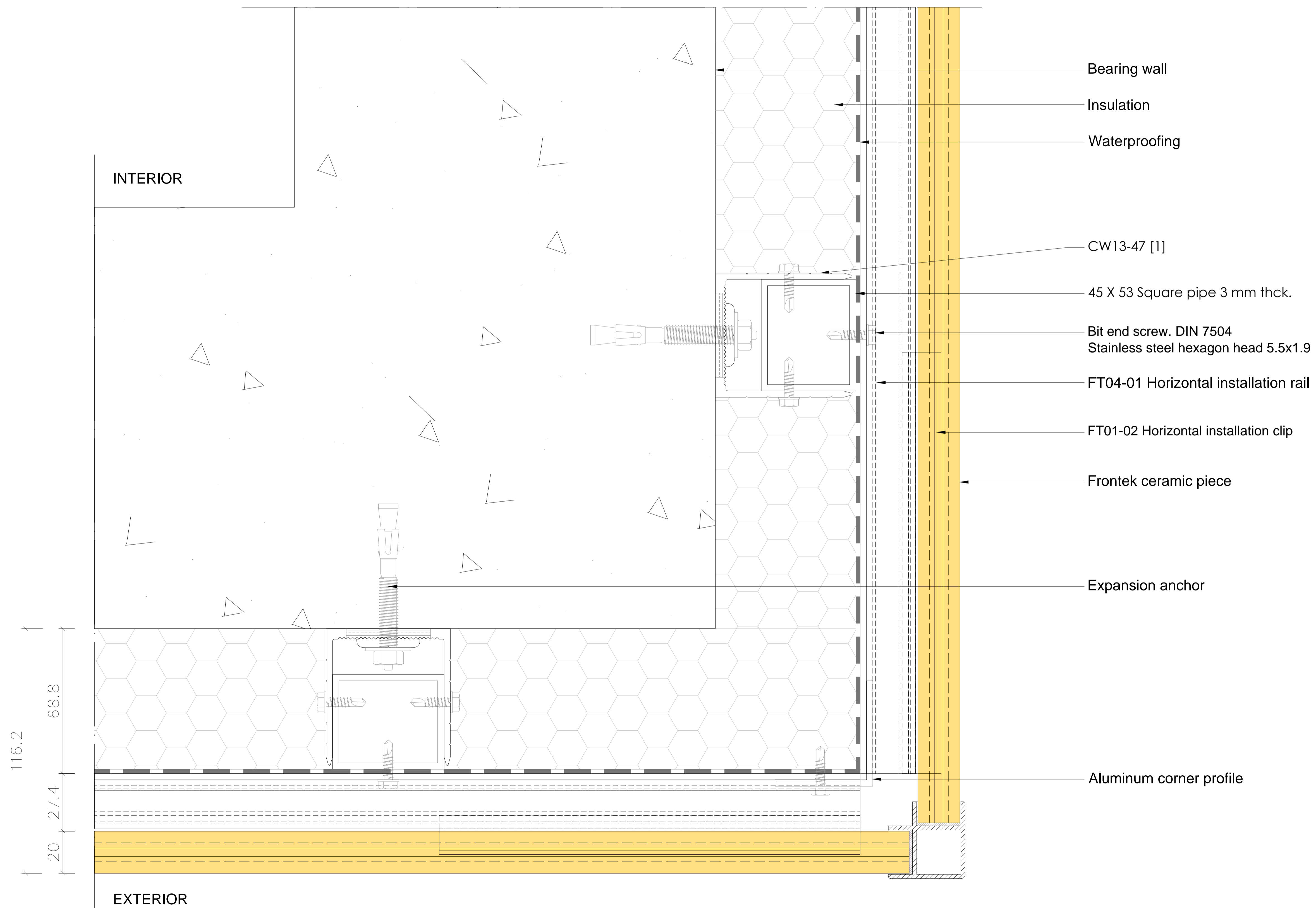
DRAWING NO. D004

frontek
cerámica tecnológica en fachadas

FRONTEK AUSTRALIA PTY LTD.
www.frontek.com.au
+61 2 9316 6818

Horizontal Configuration

HORIZONTAL SECTION. OUTSIDE CORNER.



FOR INFORMATION

COPYRIGHT

These designs, details and/or specifications and the Copyright Therein, remain the property of

Frontek Australia.

and shall not be divulged in any form whatsoever without written permission of

Frontek Australia.

All fixings sizes and types to be engineered by constructors

DRAWING DESCRIPTION
HORIZONTAL SECTION
OUTSIDE CORNER

FACADE TYPE
BEARING WALL

FRONTEK SYSTEM
HORIZONTAL CONFIGURATION

DRAWN BY
NURIA CASTRO

FIRST DRAWN DATE 14/05/2018

REVIEWED BY
-

SCALE 1/20 SIZE A3

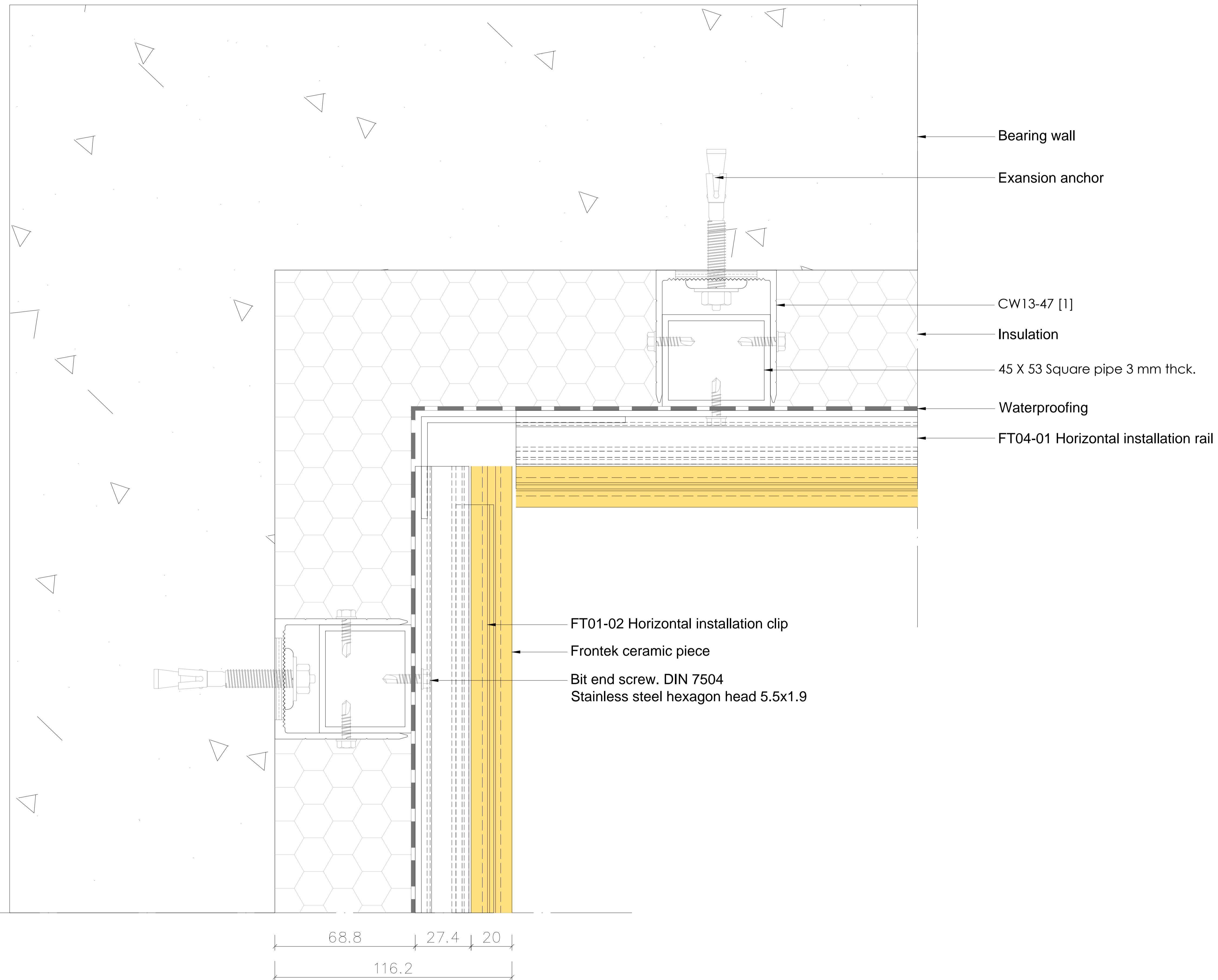
DRAWING NO. D005

frontek
cerámica tecnológica en fachadas

FRONTEK AUSTRALIA PTY LTD.
www.frontek.com.au
+61 2 9316 6818

Horizontal Configuration

HORIZONTAL SECTION. INTERIOR CORNER.



FOR INFORMATION

COPYRIGHT

These designs, details and/or specifications and the Copyright Therein, remain the property of **Frontek Australia.** and shall not be divulged in any form whatsoever without written permission of **Frontek Australia.**

All fixings sizes and types to be engineered by constructors

DRAWING DESCRIPTION
HORIZONTAL SECTION
INTERIOR CORNER

FACADE TYPE
BEARING WALL

FRONTEK SYSTEM
HORIZONTAL CONFIGURATION

DRAWN BY
NURIA CASTRO

FIRST DRAWN DATE 14/05/2018

REVIEWED BY
-

SCALE 1/20 SIZE A3

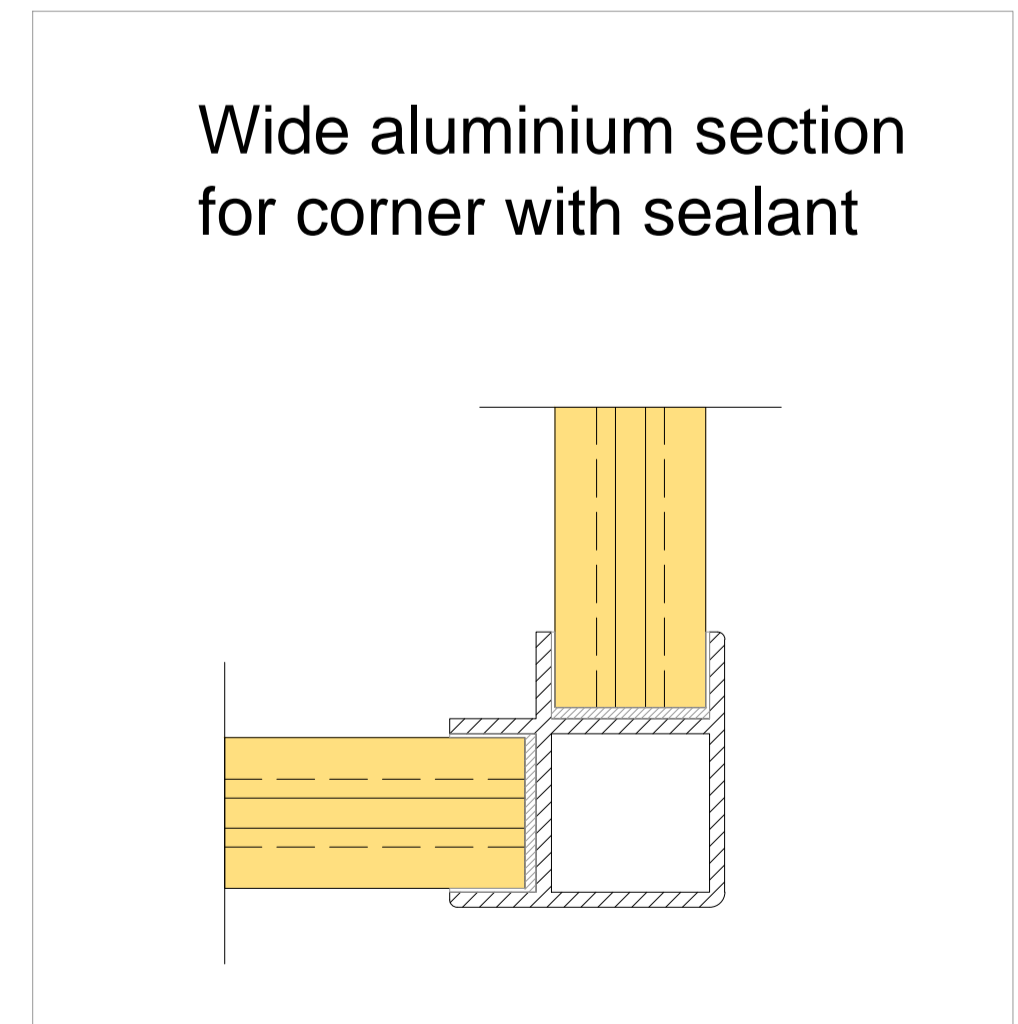
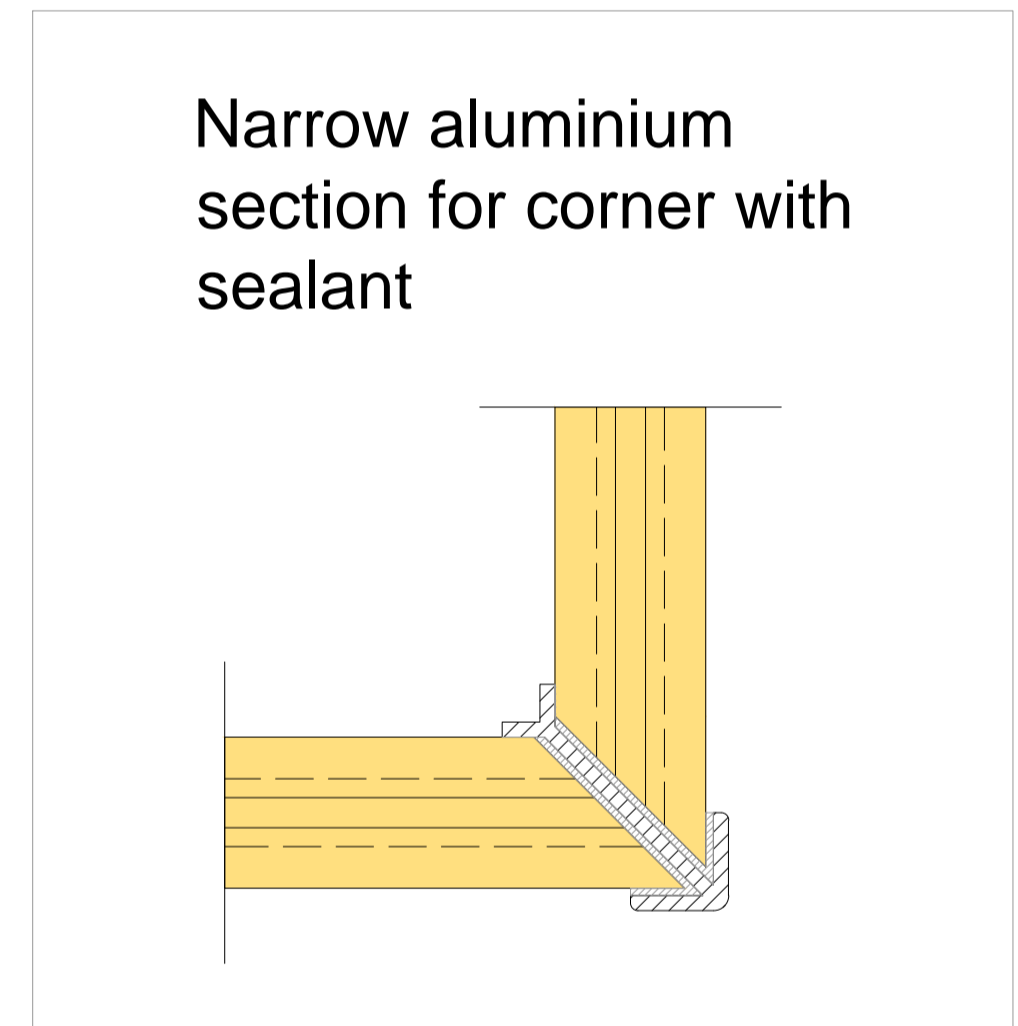
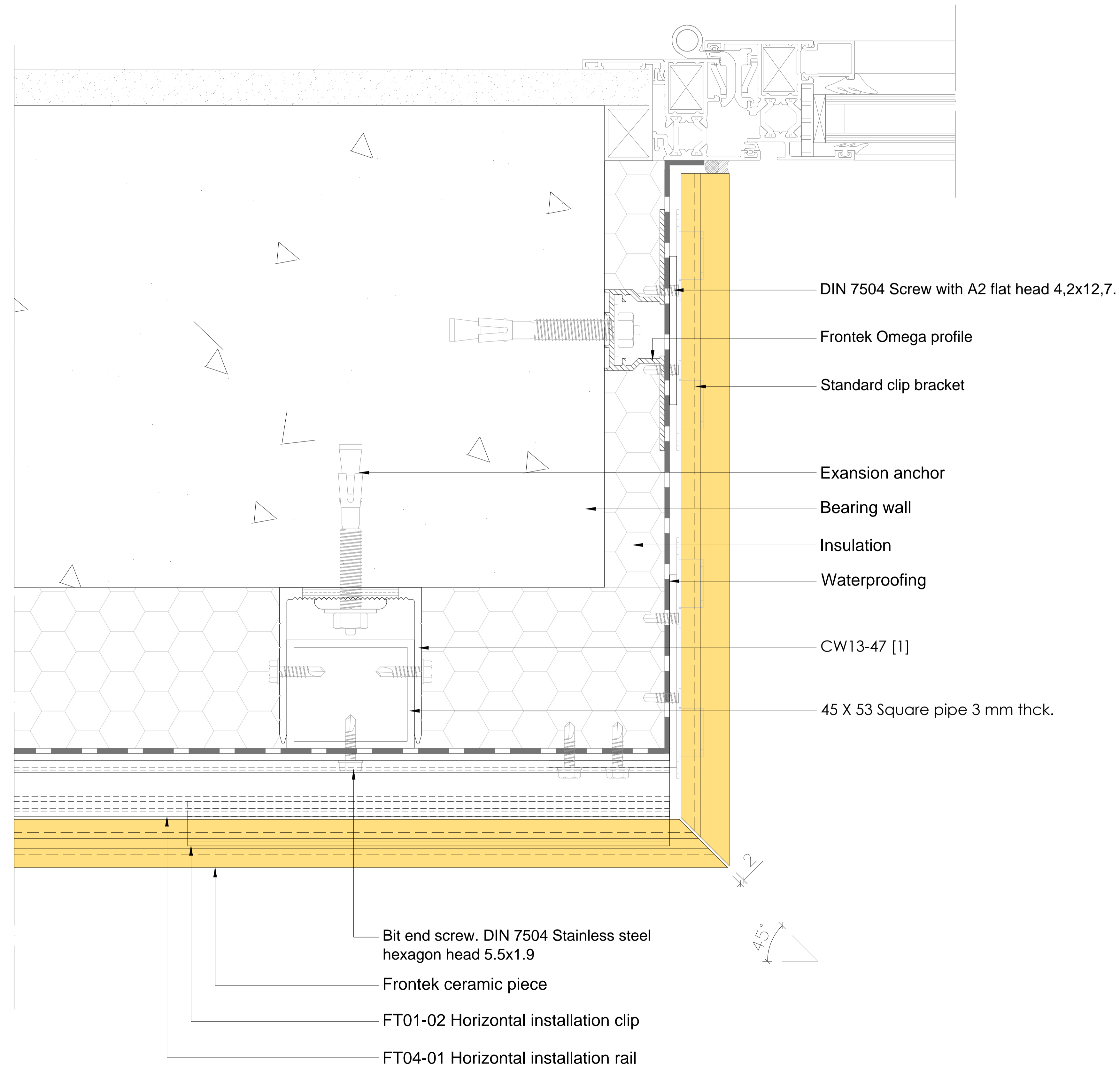
DRAWING NO. D006

frontek
cerámica tecnológica en fachadas

FRONTEK AUSTRALIA PTY LTD.
www.frontek.com.au
+61 2 9316 6818

Horizontal Configuration

HORIZONTAL SECTION. WINDOW
FRONTEK 45° CUT



FOR INFORMATION

COPYRIGHT

These designs, details and/or specifications and the Copyright Therein, remain the property of **Frontek Australia.** and shall not be divulged in any form whatsoever without written permission of **Frontek Australia.**

All fixings sizes and types to be engineered by constructors

DRAWING DESCRIPTION
HORIZONTAL SECTION

FACADE TYPE
BEARING WALL

FRONTEK SYSTEM
HORIZONTAL CONFIGURATION

DRAWN BY
NURIA CASTRO

FIRST DRAWN DATE 14/05/2018

REVIEWED BY
-

SCALE 1/20 SIZE A3

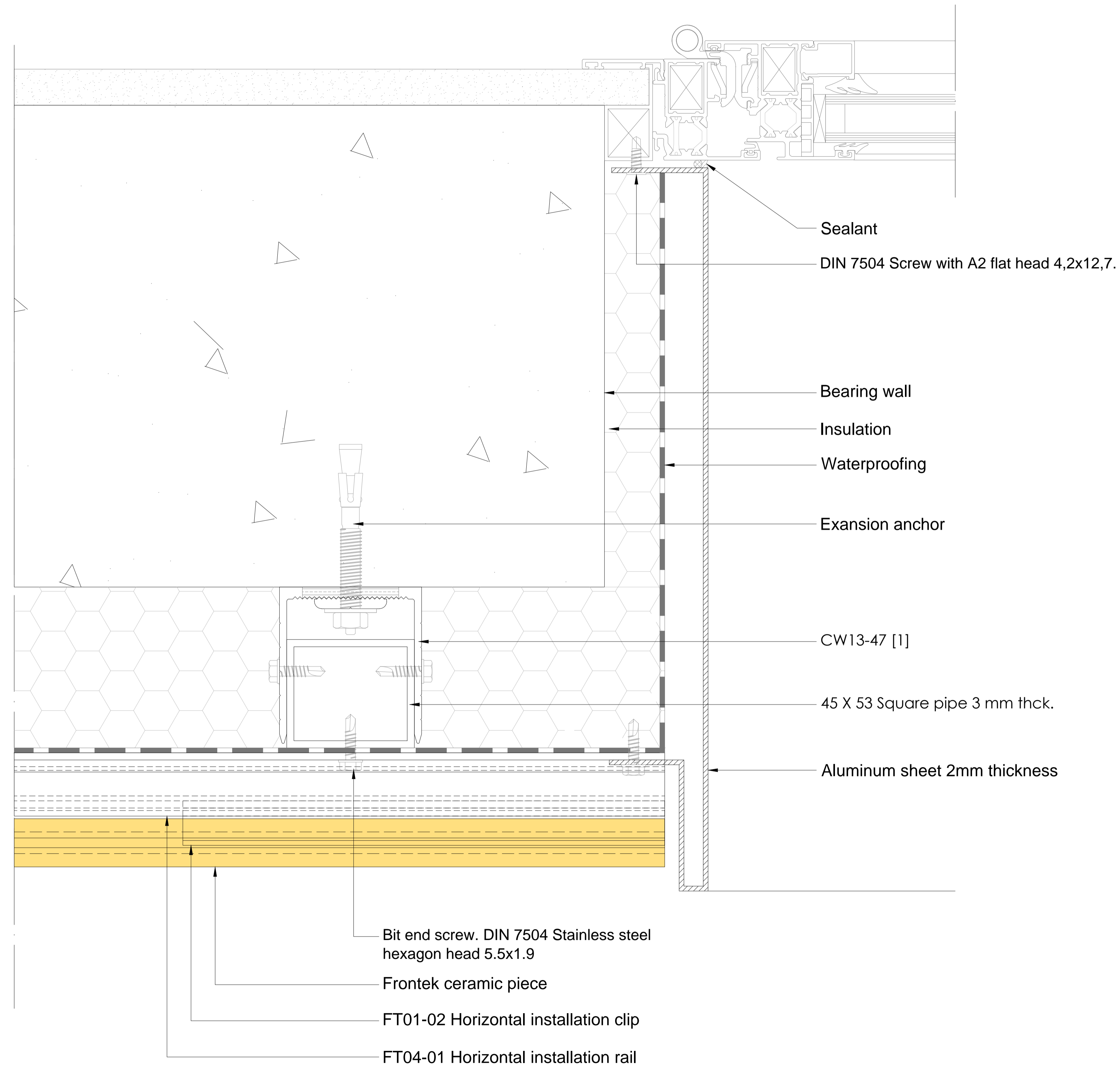
DRAWING NO. D007

frontek
cerámica tecnológica en fachadas

FRONTEK AUSTRALIA PTY LTD.
www.frontek.com.au
+61 2 9316 6818

Horizontal Configuration

HORIZONTAL SECTION. WINDOW
ALUMINIUM FRAME



FOR INFORMATION

COPYRIGHT

These designs, details and/or specifications and the Copyright Therein, remain the property of **Frontek Australia.** and shall not be divulged in any form whatsoever without written permission of **Frontek Australia.**

All fixings sizes and types to be engineered by constructors

DRAWING DESCRIPTION
HORIZONTAL SECTION

FACADE TYPE
BEARING WALL

FRONTEK SYSTEM
HORIZONTAL CONFIGURATION

DRAWN BY
NURIA CASTRO

FIRST DRAWN DATE 14/05/2018

REVIEWED BY
-

SCALE 1/20 SIZE A3

DRAWING NO. D008

frontek
cerámica tecnológica en fachadas

FRONTEK AUSTRALIA PTY LTD.
www.frontek.com.au
+61 2 9316 6818